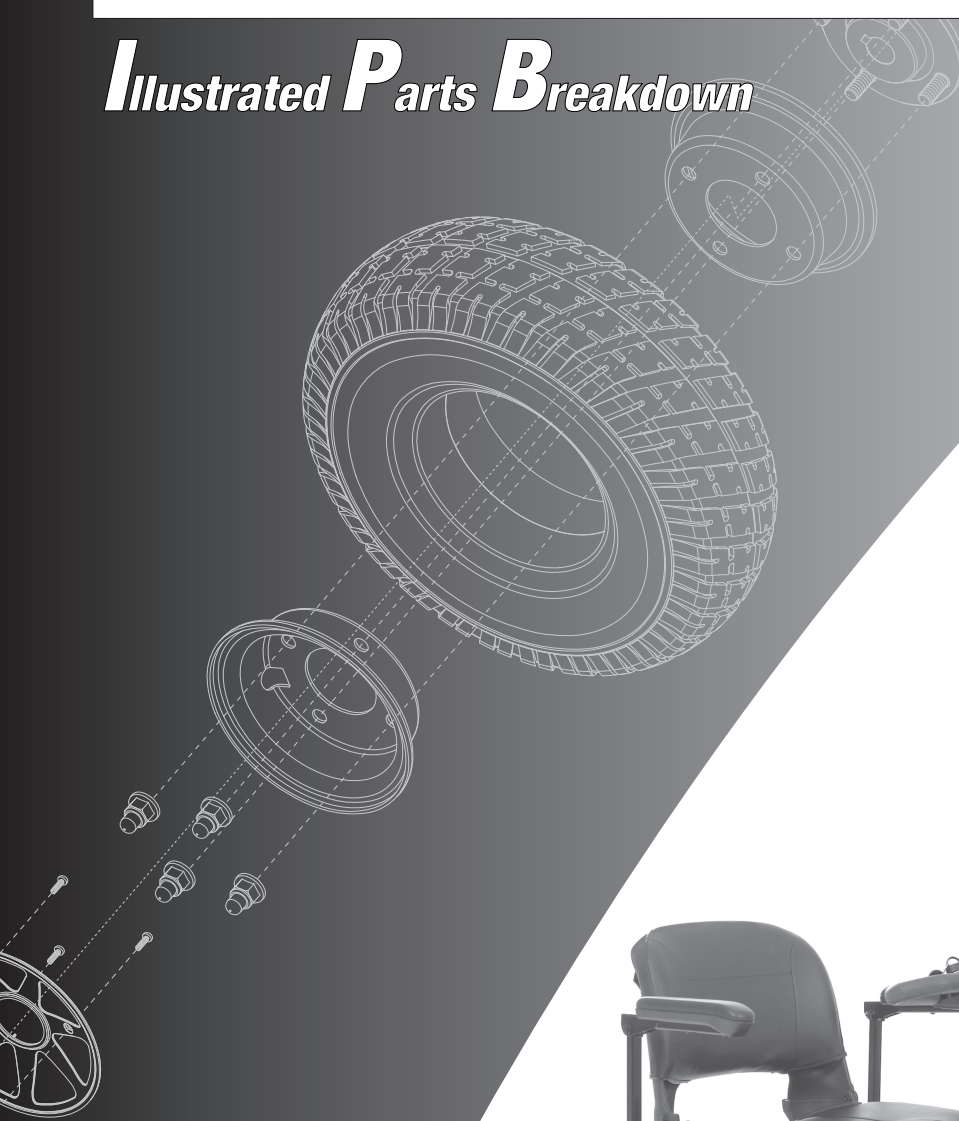


# Go-Go Elite Traveller® Plus Series

CA

AGM# 088 609 667

## Illustrated *P*arts *B*reakdown



# Pride®

Your new Pride Illustrated Parts Breakdown (IPB) Manual has been compiled from the latest product information available at the time of publication. Pride<sup>®</sup> Mobility Products Corporation reserves the right to make changes and updates to this manual and to the product(s) it represents. Any changes, updates, or improvements to the product(s) may result in slight differences between this manual and the product you purchased.

An IPB is an illustrated parts listing of all product components which have maintenance significance. IPB's utilize "exploded" drawings to detail the individual components for each assembly and an itemized list of reference numbers, part numbers, descriptions, and quantities per assembly. Some parts may be included in an assembly but may not be available for purchase separately. Refer to the parts list to locate the part numbers for assemblies and components for ordering what you need.

To achieve proper identification and relationship of detail parts and next higher assemblies, parts listings are presented in a convenient alphanumeric reference system. Reference numbers for parent assemblies identify one part number that can be used to order all of the components listed within it. Components of an assembly will have the same alpha character as its parent assembly.

- For example, the parent assembly part number using reference number of A1 — A4 is the only number you need to place an order for parts with references of A1, A2, A3, and A4. Instead of ordering 4 separate parts, use the parent assembly part number to get the complete assembly.

Master assembly part numbers have reference numbers that include several subassemblies. By ordering parts using master assembly part numbers, you can save a lot of time and reduce the chance for error.

- For example, A1 — G10, a master assembly reference number, includes all components of assemblies A, B, C, D, E, F, and G. Use caution when ordering assemblies. Check to see if a master assembly part number exists for the components that you need. If an entire master assembly is not needed, then the individual assembly part number (i.e. for reference number G1 — G10) will be sufficient to use for ordering.

Asterisks (\*) and NOTES are used throughout this service manual to point out important information regarding assembly structure and contents.

- For example, in some illustrations, only the left OR right side is shown. In other drawings, only the front OR back is depicted. The part numbers for ALL components are listed. An asterisk will also be used to indicate which components are not illustrated. Illustrated Items without callouts are shown for assembly purposes.

Updates to the contents of this IPB will be made on a regular basis. Providers may retrieve updates immediately upon their release by going to the Pride Service Website. The web address is [www.prideprovider.com](http://www.prideprovider.com). We welcome any questions or comments regarding the new Pride IPB Manual that you may have.

Please note all pricing included with this manual is subject to change without prior notice from Pride.

Thank you for choosing products from Pride<sup>®</sup> Mobility Products Corporation.

(This page is intentionally left blank.)

**SECTION I.**

Frame Assembly

- Tiller, 3-Wheel.....6
- Tiller, 4-Wheel.....7
- Front, 3-Wheel.....8
- Front, 4-Wheel.....9
- Fork with Black Tire/Silver Rim.....10
- Fork with Gray Tire/Black Rim.....11
- Rear, 3-Wheel.....12
- Rear, 4-Wheel.....13
- Seat Post and Lock-up.....14

**SECTION II.**

Drive Assembly .....15

**SECTION III.**

Electronics Assembly

- Console .....16
- Controller, R-Series.....18
- Controller, S-Drive.....19
- Controller, S-Drive MKII.....20
- Battery Box.....21

**SECTION IV.**

Seat Assembly

- Seat.....22
- Under Seat Storage.....23

**SECTION V.**

Shroud Assembly

- Console Insert.....24
- Front, 3-Wheel, Version 1.....26
- Front, 3-Wheel, Version 2.....27
- Front, 4-Wheel, Version 1.....28
- Front, 4-Wheel, Version 2.....29
- Front Inserts, 3-Wheel, Version 1.....30
- Front Inserts, 3-Wheel, Version 2.....31
- Front Inserts, 4-Wheel, Version 1.....32
- Front Inserts, 4-Wheel, Version 2.....33
- Rear, 3-Wheel.....34
- Rear, 4-Wheel.....35
- Rear Inserts, 3-Wheel.....36
- Rear Inserts, 4-Wheel.....37

**SECTION VI.**

Wheel Assembly

Front, 3-Wheel .....	38
Front, 4-Wheel .....	39
Rear .....	40

**SECTION VII.**

Owner's Package .....	41
-----------------------	----

**SECTION VIII.**

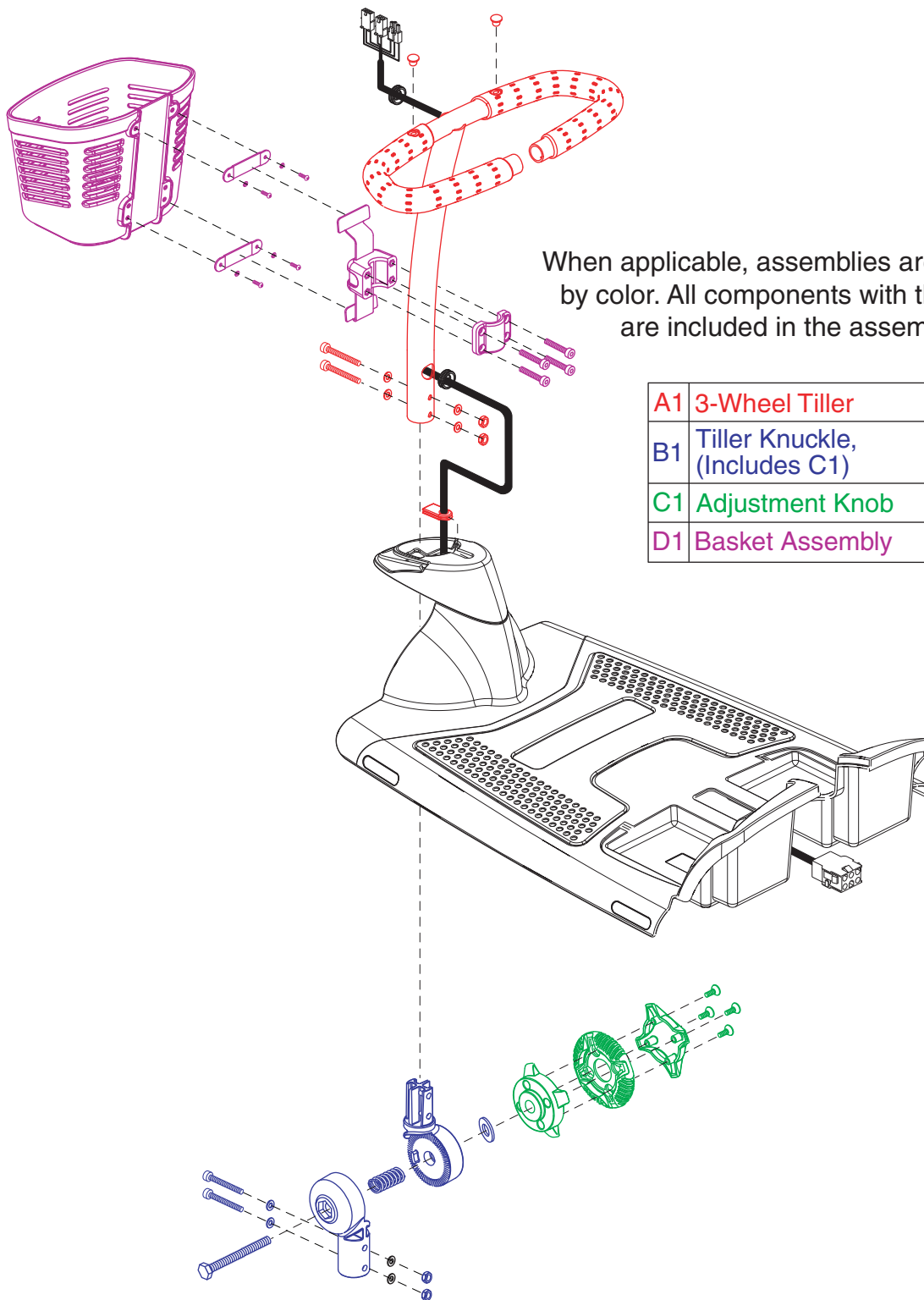
Decal Package

3-Wheel, Elite Traveller Plus .....	42
3-Wheel, Elite Traveller Plus HD .....	43
4-Wheel, Elite Traveller Plus .....	44
4-Wheel, Elite Traveller Plus HD .....	45

**APPENDIX A.**

Electrical System Diagram

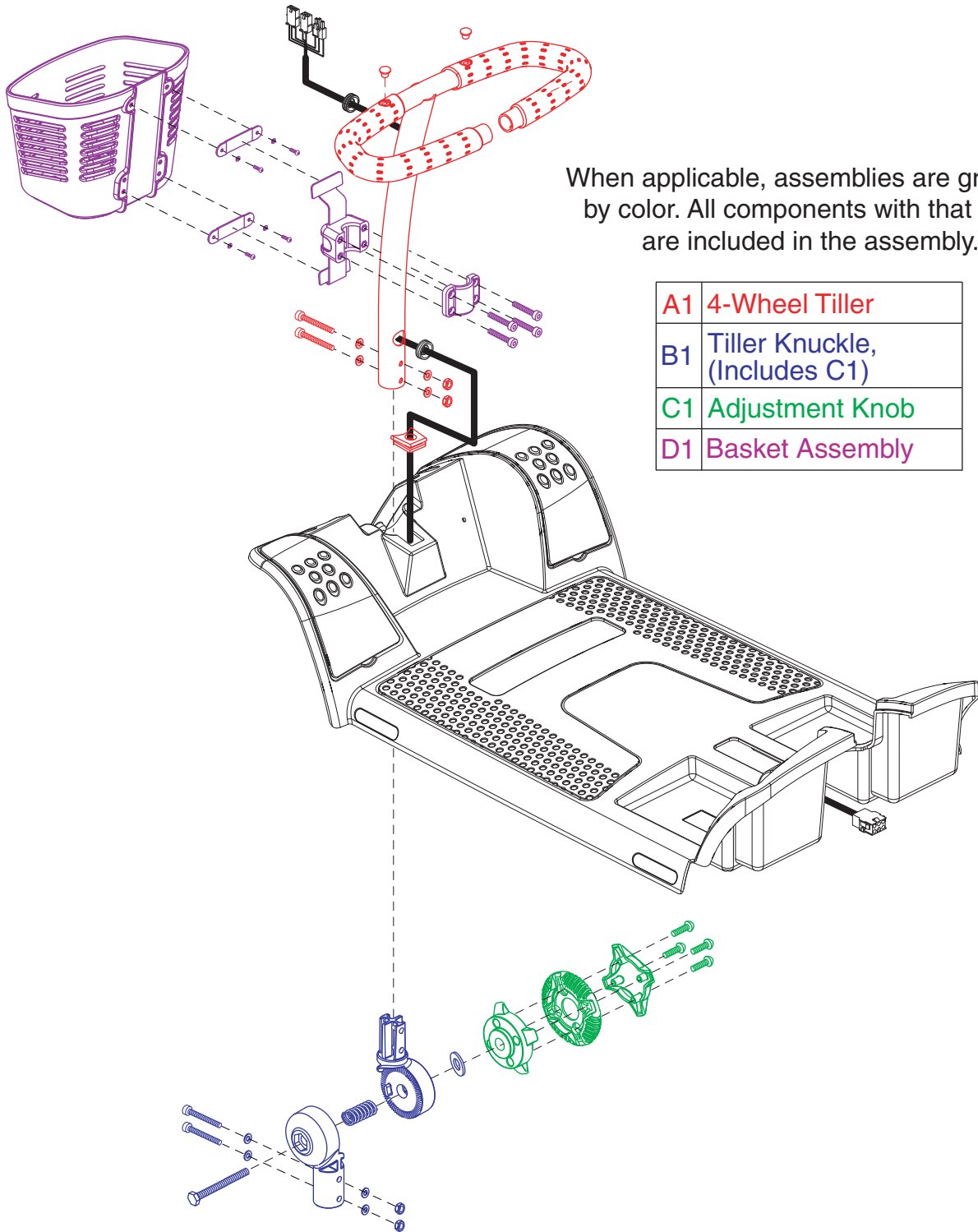
R-Series Electronics .....	46
S-Drive Electronics .....	47



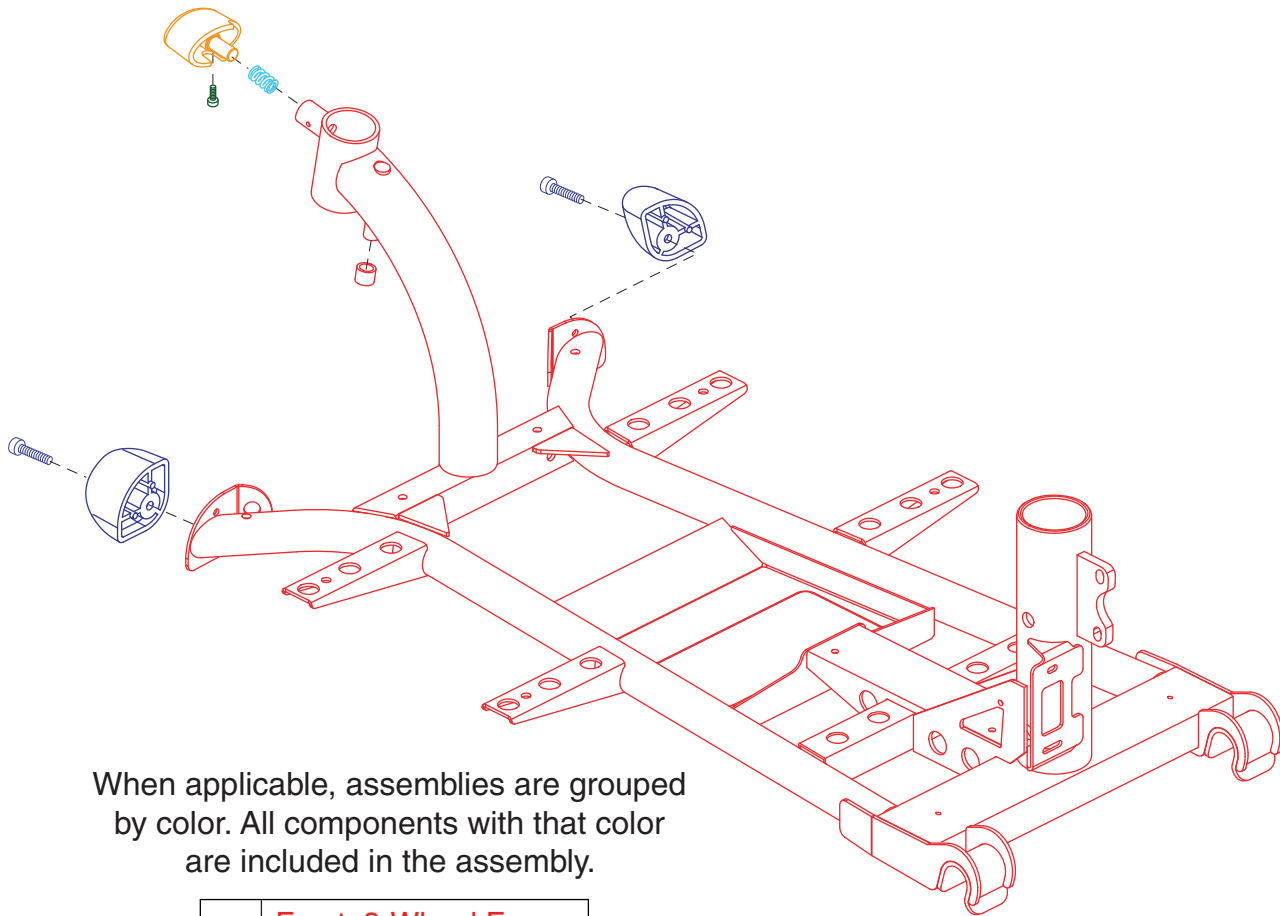
When applicable, assemblies are grouped by color. All components with that color are included in the assembly.

A1	3-Wheel Tiller
B1	Tiller Knuckle, (Includes C1)
C1	Adjustment Knob
D1	Basket Assembly

REF #	PART #	DESCRIPTION	QTY	Dealer (CA\$)	MSRP (CA\$)
A1	FRMASMB10673	TILLER,ASSY,DELTA,3 WHEEL,SC53	1	\$12.6	\$21
B1	FRMASMB9235	TILLER,ASSY,PIVOT,UPPER/LOWER,SC40E/44E	1	\$49.8	\$83
C1	PLSASMB1998	PLASTIC,RAW,ASSY,KNOB,TILLER ADJUST,SC40E/44E	1	\$2.65	\$4.41
D1	FRMASMB13758	FRAME,BASKET,ASSY,BLACK,PLASTIC,244.8MM W X 219.1MM H X 211.7MM L	1	\$22.2	\$37



REF #	PART #	DESCRIPTION	QTY	Dealer (CA\$)	MSRP (CA\$)
A1	FRMASMB9847	TILLER,ASSY,DELTA,4 WHEEL,SC54	1	\$18	\$30
B1	FRMASMB9235	TILLER,ASSY,PIVOT,UPPER/LOWER,SC40E/44E	1	\$49.8	\$83
C1	PLSASMB1998	PLASTIC,RAW,ASSY,KNOB,TILLER ADJUST,SC40E/44E	1	\$2.65	\$4.41
D1	FRMASMB13758	FRAME,BASKET,ASSY,BLACK,PLASTIC,244.8MM W X 219.1MM H X 211.7MM L	1	\$22.2	\$37



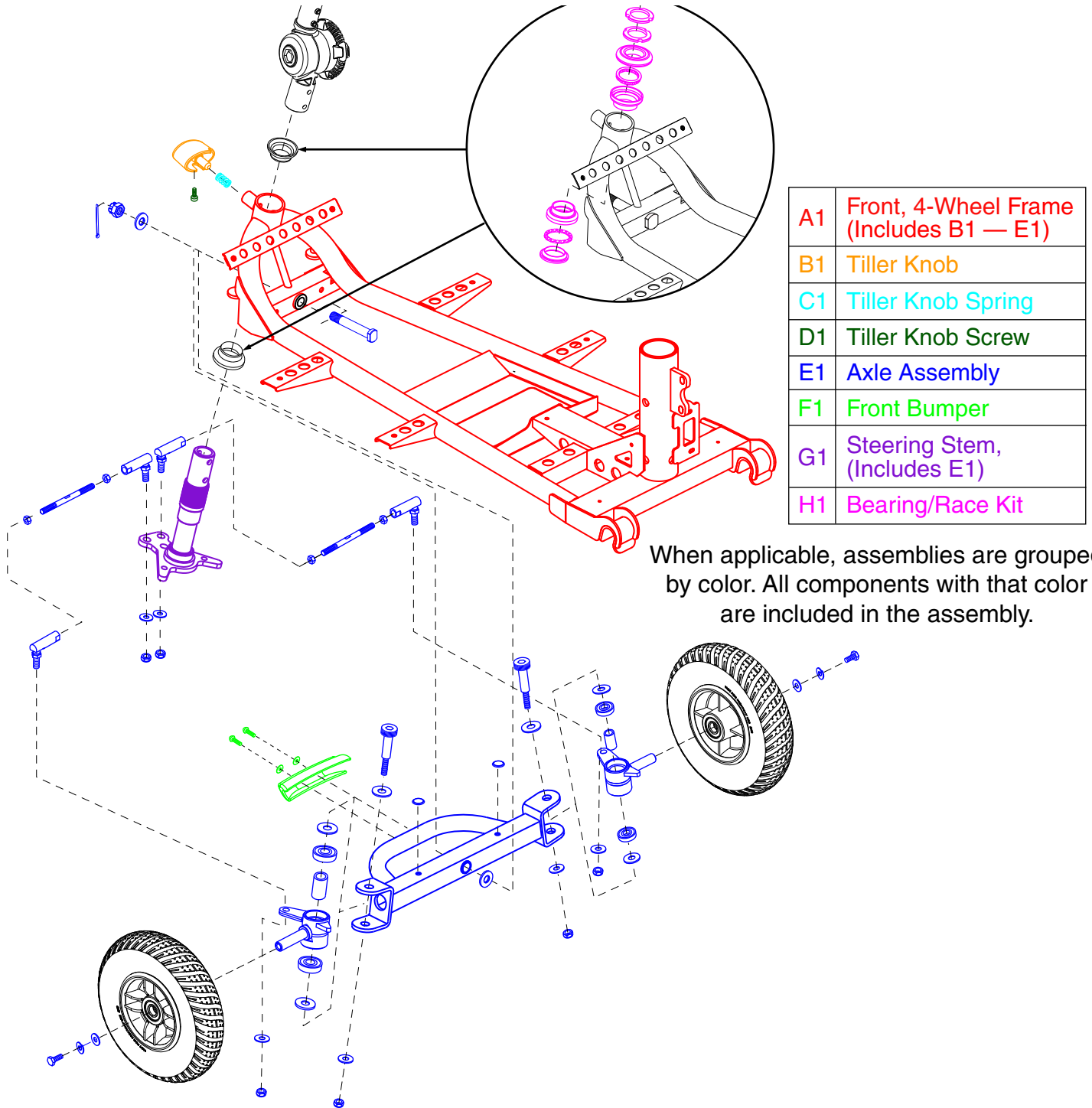
When applicable, assemblies are grouped by color. All components with that color are included in the assembly.

A1	Front, 3-Wheel Frame (Includes B1 — D1)
B1	Tiller Knob
C1	Tiller Knob Spring
D1	Tiller Knob Screw
E1	Bumper

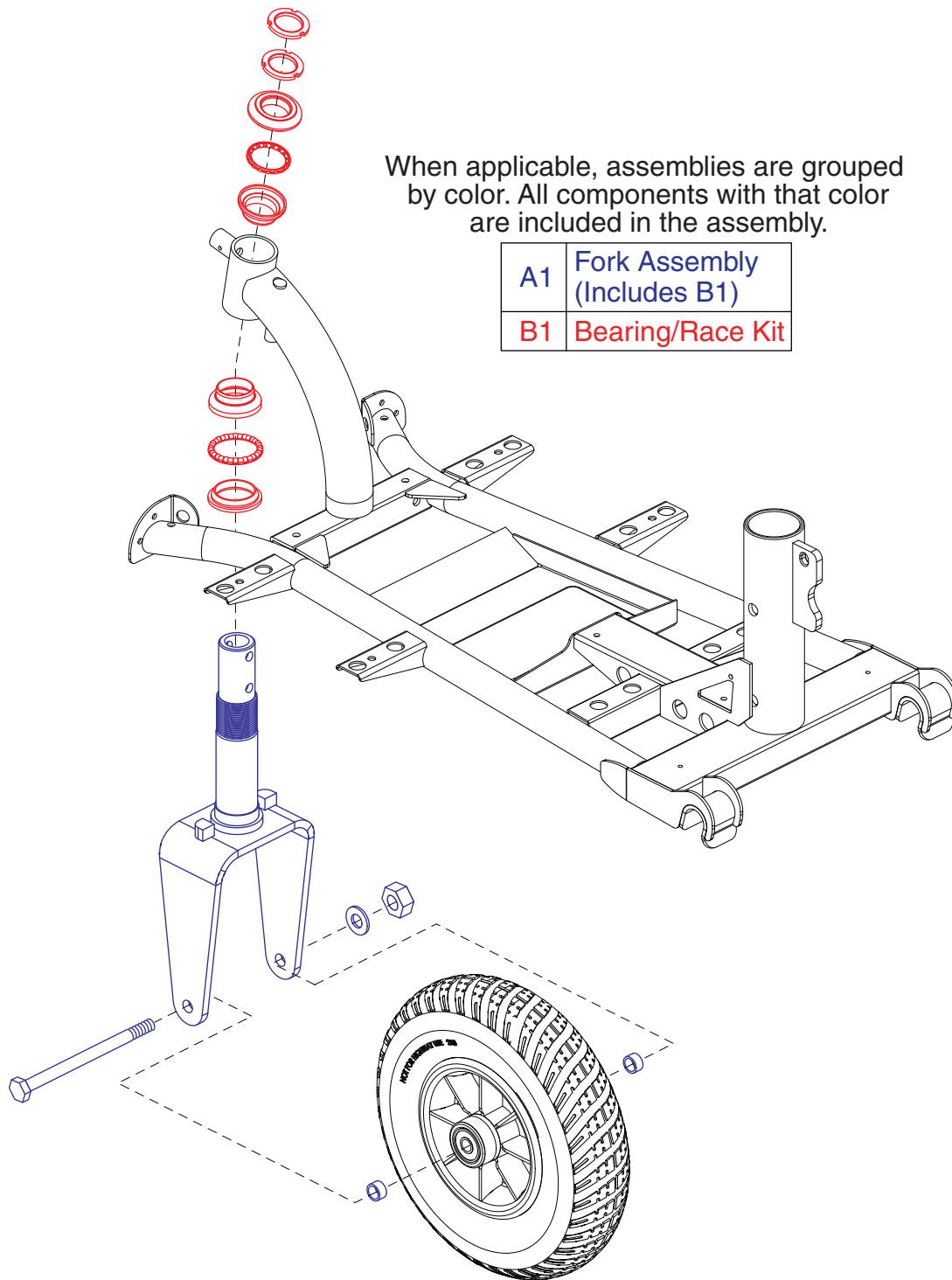
REF #	PART #	DESCRIPTION	QTY	Dealer (CA\$)	MSRP (CA\$)
A1	FRMASMB10674	FRAME,ASSY,FRONT,3 WHEEL,SC53	1	\$142.2	\$237
B1	DWR9983C044	TILLER,KNOB,LOCK,ABS,SC40E/44E,C-9983-044	1	N/A	N/A
C1	SPGRAW1064	SPRING,15.5MM FL X 0.90MM WIRE DIA X 10.80MM OD X RATE: 2.46N/MM,(LEE SPRING: LCM-090F-3),B-9983-044	1	N/A	N/A
D1	SCRSHCS1127	SCREW,SHCS,BLACK ZINC,M4-.7 X 10MM,GRADE 8	1	\$.5	\$.83
E1	FRMASMB9374	BUMPER,ASSY,FRONT,BLACK,SC40E	1	\$1.29	\$2.15



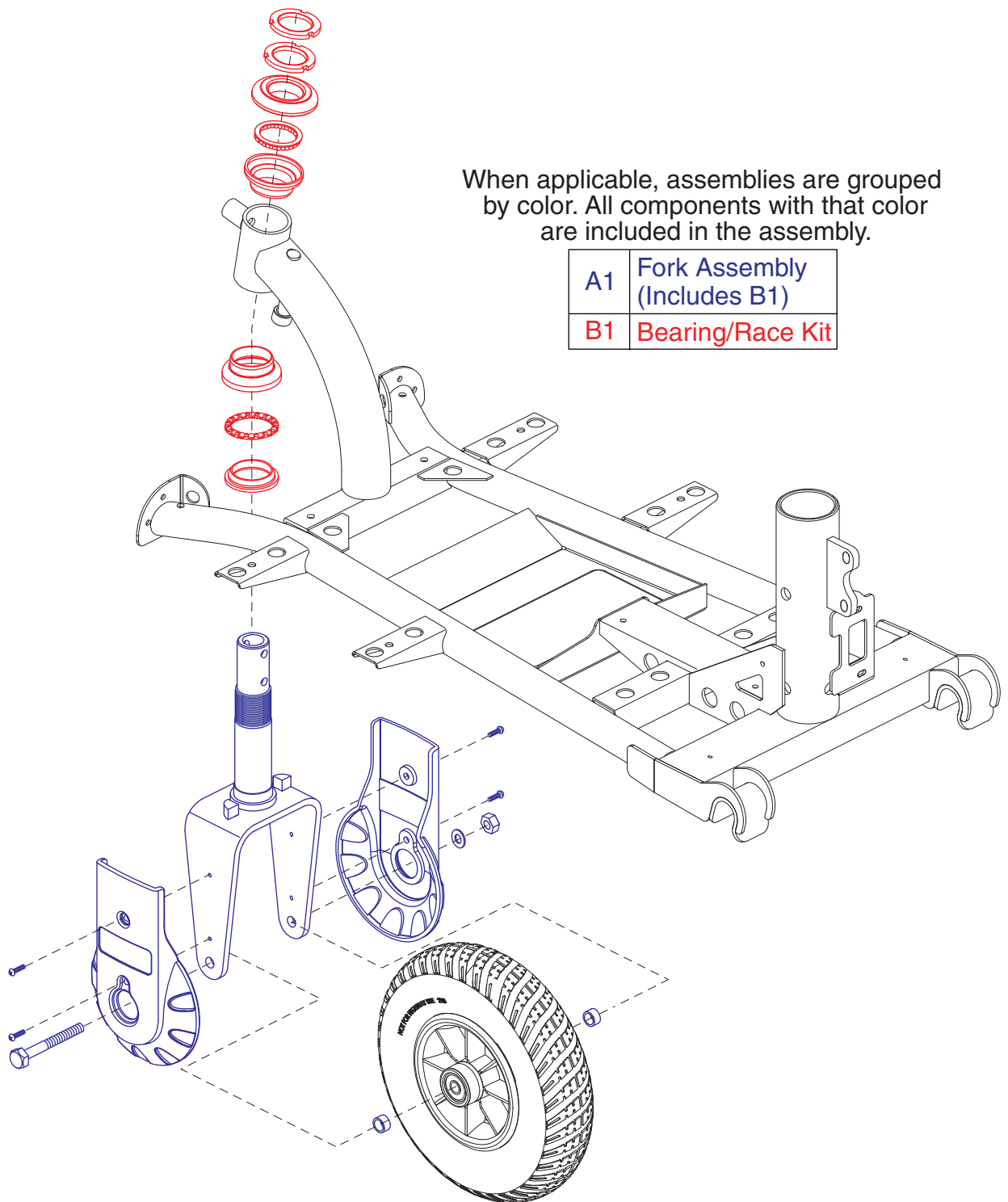
# I. Frame Assembly — Front, 4-Wheel



REF #	PART #	DESCRIPTION	QTY	Dealer (CA\$)	MSRP (CA\$)
A1	FRMASMB9849	FRAME,ASSY,FRONT,4 WHEEL,SC54	1	\$174	\$290
B1	DWR9983C044	TILLER,KNOB,LOCK,ABS,SC40E/44E,C-9983-044	1	N/A	N/A
C1	SPGRAW1064	SPRING,15.5MM FL X 0.90MM WIRE DIA X 10.80MM OD X RATE: 2.46N/MM,(LEE SPRING: LCM-090F-3),B-9983-044	1	N/A	N/A
D1	SCRSHCS1127	SCREW,SHCS,BLACK ZINC,M4-.7 X 10MM,GRADE 8	1	\$.5	\$.83
E1	FRMASMB9850	AXLE,ASSY,FRONT,4 WHEEL,SC54	1	\$49.8	\$83



REF #	PART #	DESCRIPTION	QTY	Dealer (CA\$)	MSRP (CA\$)
A1	FRMASMB14082	FORK,ASSY,WITHOUT HOLES,3 WHEEL,SC40E	1	\$49.8	\$83
B1	HDWASMB1000	KIT,BEARING/RACE,KEMCO	1	\$7	\$11.67

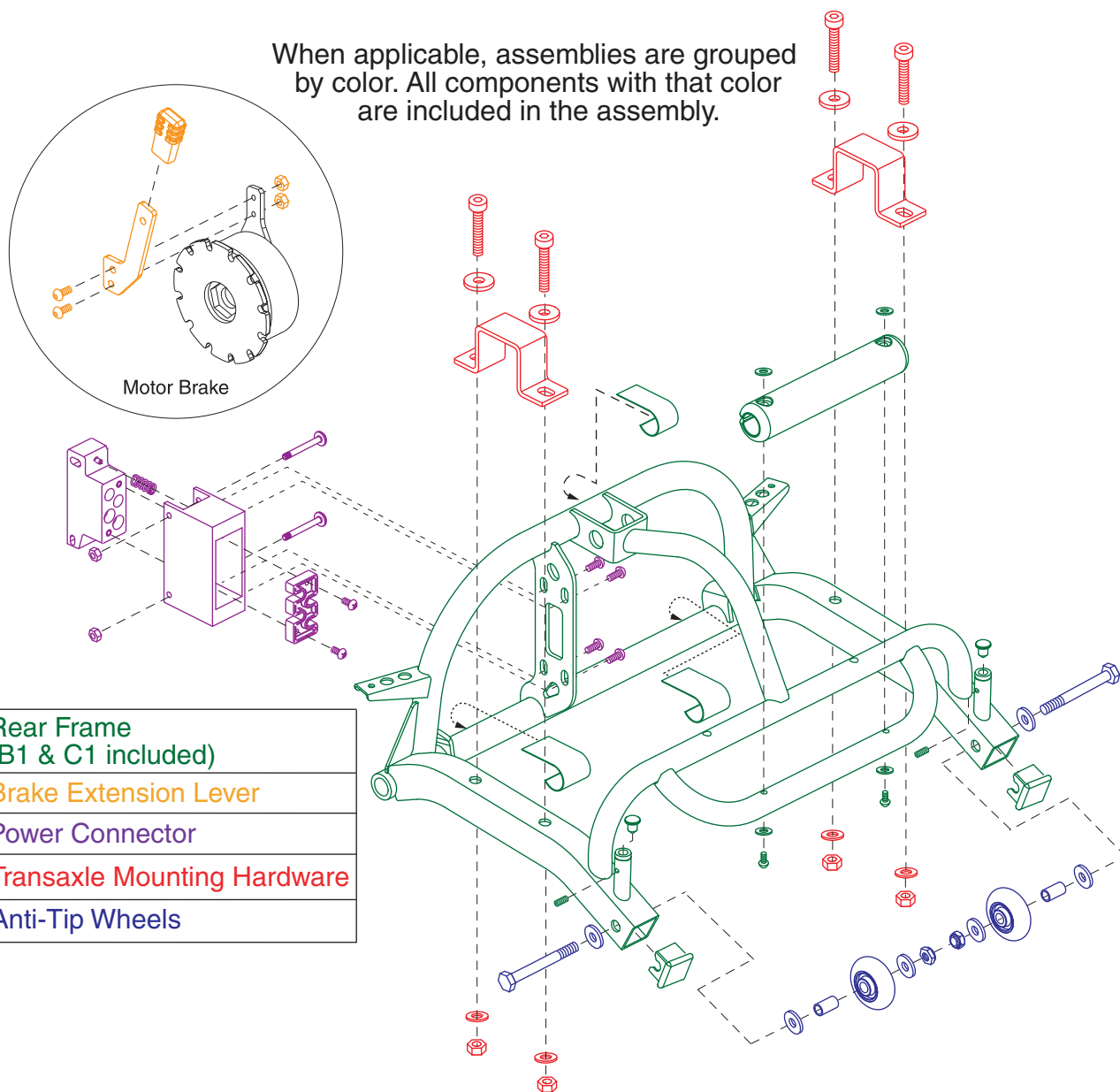


When applicable, assemblies are grouped by color. All components with that color are included in the assembly.

A1	Fork Assembly (Includes B1)
B1	Bearing/Race Kit

REF #	PART #	DESCRIPTION	QTY	Dealer (CA\$)	MSRP (CA\$)
A1	FRMASMB9372	FORK,ASSY,3 WHEEL,SC40E	1	N/A	N/A
B1	HDWASMB1000	KIT,BEARING/RACE,KEMCO	1	\$7	\$11.67

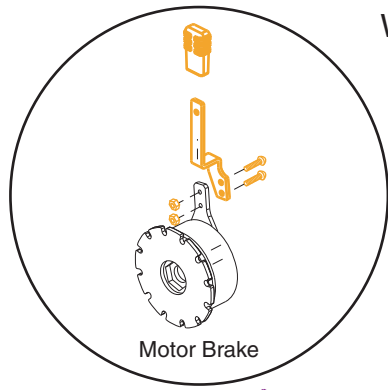
When applicable, assemblies are grouped by color. All components with that color are included in the assembly.



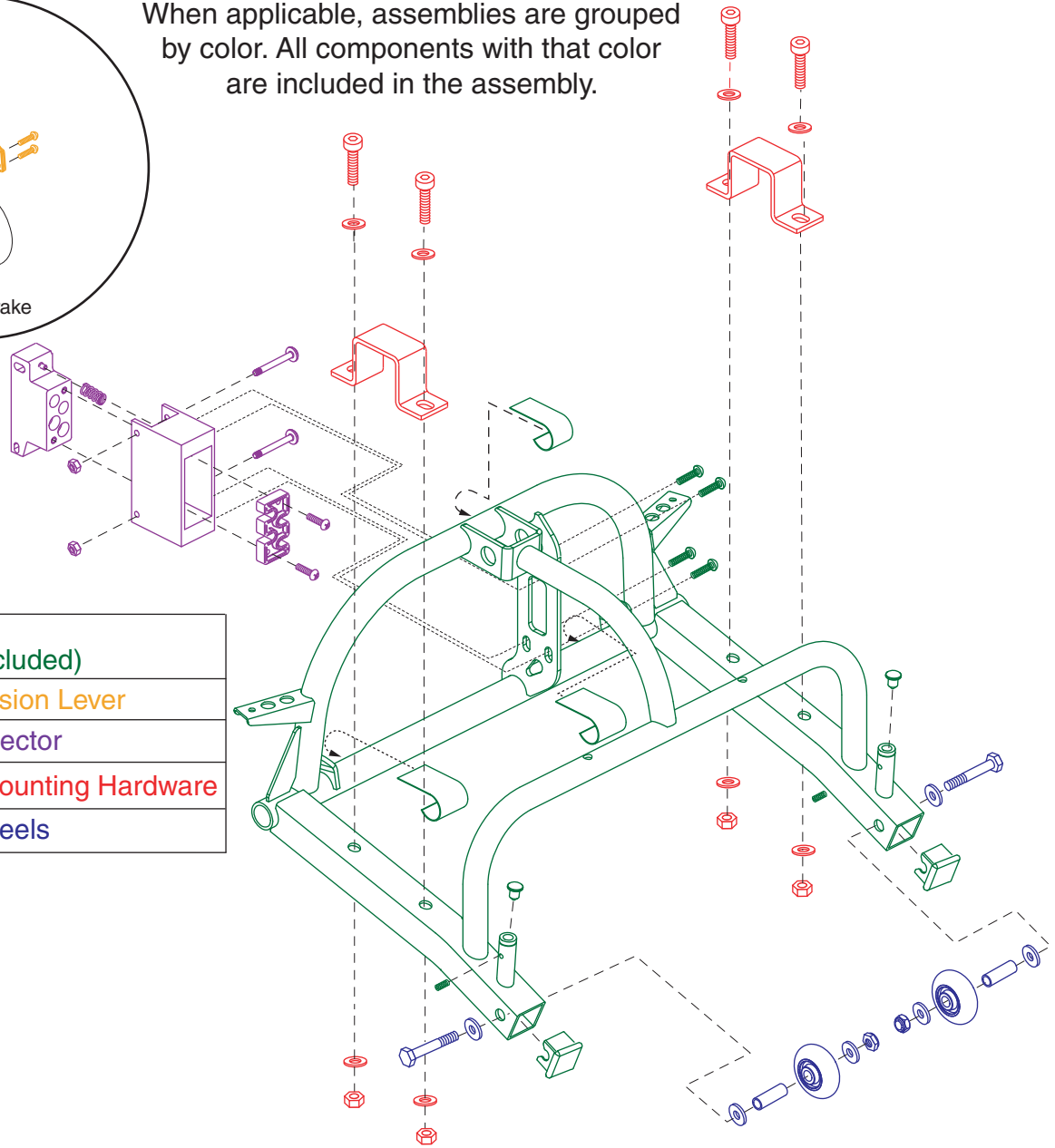
A1	Rear Frame (B1 & C1 included)
B1	Brake Extension Lever
C1	Power Connector
D1	Transaxle Mounting Hardware
E1	Anti-Tip Wheels

REF #	PART #	DESCRIPTION	QTY	Dealer (CA\$)	MSRP (CA\$)
A1	FRMASMB10675	FRAME,ASSY,REAR,3 WHEEL,SC53	1	\$60	\$100
B1	FRMASMB10677	FRAME,ASSY,BRAKE LEVER,EXTENSION,SC53	1	\$14.4	\$24
C1	ELEASMB4832	ELECTRONIC,ASSY,POWER CONNECTOR,HOUSING,FEMALE,SC40E/44E	1	\$18	\$30
D1	HDWASMB1026	TRANSAXLE,ASSY,HARDWARE,MOUNTING, SONIC	1	\$3.6	\$6
E1	WHLASMB1547	WHEEL,ASSY,ANTI-TIP,2" ROLLERBLADE STYLE,VERSION 2	2	\$10.8	\$18

# I. Frame Assembly — Rear, 4-Wheel

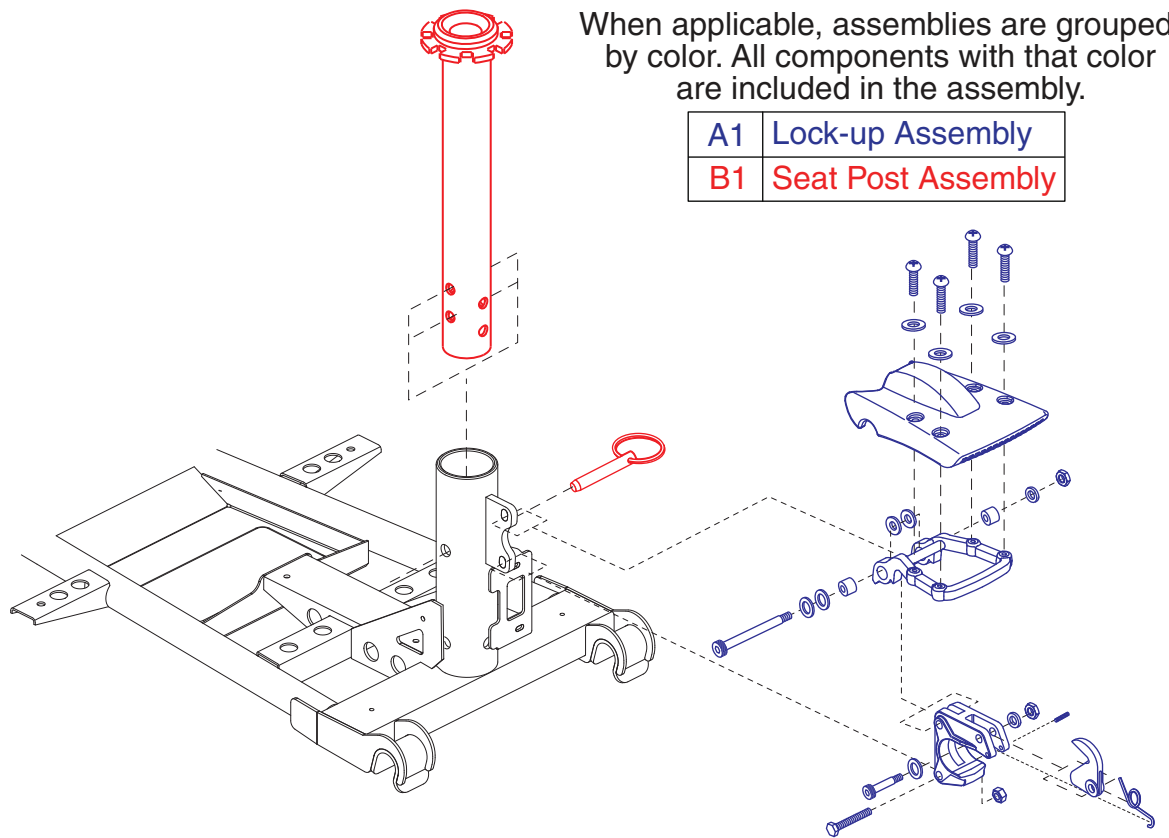


When applicable, assemblies are grouped by color. All components with that color are included in the assembly.

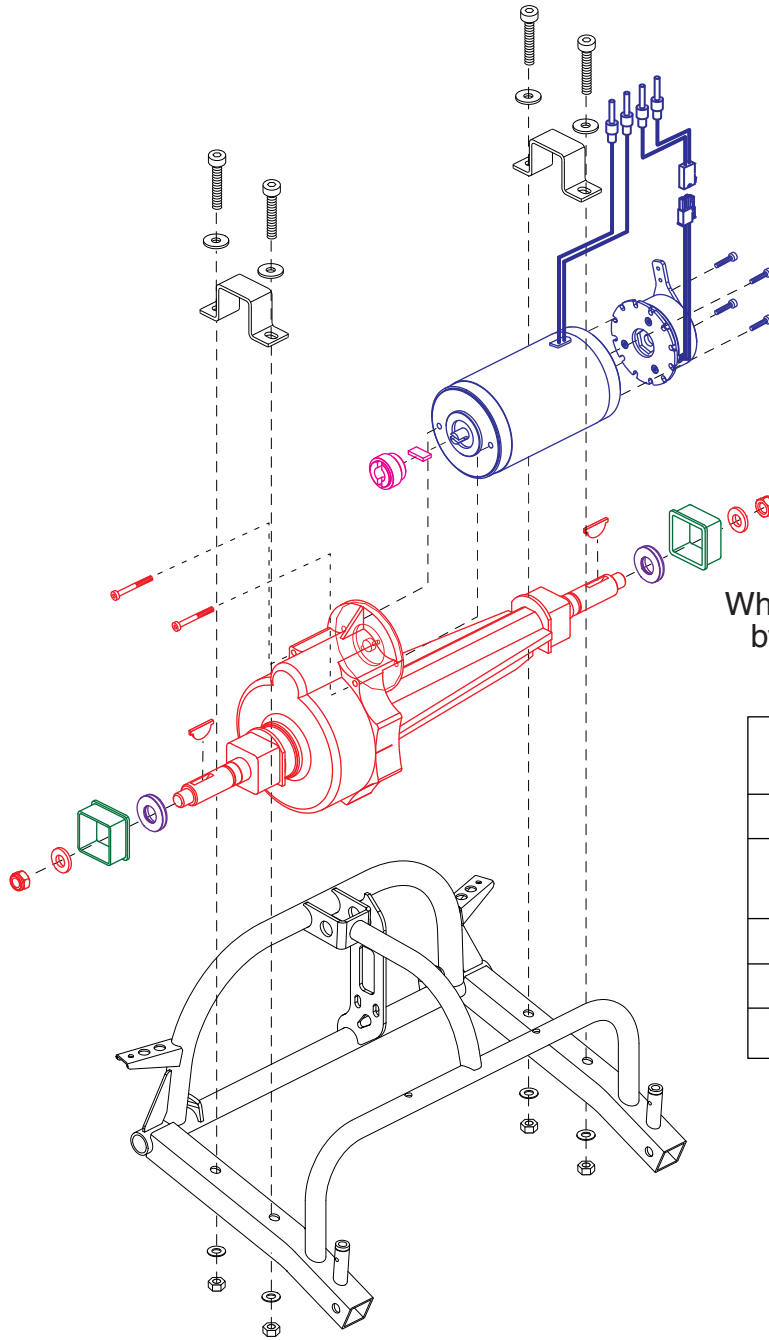


A1	Rear Frame (B1 & C1 included)
B1	Brake Extension Lever
C1	Power Connector
D1	Transaxle Mounting Hardware
E1	Anti-Tip Wheels

REF #	PART #	DESCRIPTION	QTY	Dealer (CA\$)	MSRP (CA\$)
A1	FRMASMB9848	FRAME,ASSY,REAR,4 WHEEL,SC54	1	\$37.2	\$62
B1	FRMASMB9909	LEVER,ASSY,BRAKE,EXTENSION,SC54	1	\$1.33	\$2.21
C1	ELEASMB4832	ELECTRONIC,ASSY,POWER CONNECTOR,HOUSING,FEMALE,SC40E/44E	1	\$18	\$30
D1	HDWASMB1026	TRANSAXLE,ASSY,HARDWARE,MOUNTING, SONIC	1	\$3.6	\$6
E1	WHLASMB1547	WHEEL,ASSY,ANTI-TIP,2" ROLLERBLADE STYLE,VERSION 2	2	\$10.8	\$18



REF #	PART #	DESCRIPTION	QTY	Dealer (CA\$)	MSRP (CA\$)
A1	FRMASMB9231	FRAME,ASSY,LOCKUP,SC40E/44E	1	\$26.4	\$44
B1	FRMASMB9630	SEAT POST,ASSY,UPPER,4 HOLE,ADJUSTABLE,W/PIN	1	\$17.4	\$29



When applicable, assemblies are grouped by color. All components with that color are included in the assembly.

A1	Complete Transaxle/Motor/Brake Assy (Includes all components)
B1	Motor/Brake Assy
C1	Transaxle Assy (Includes D1, E1, & F1)
D1	Wheel Spacer
E1	Motor Coupler
F1	Transaxle Isolator

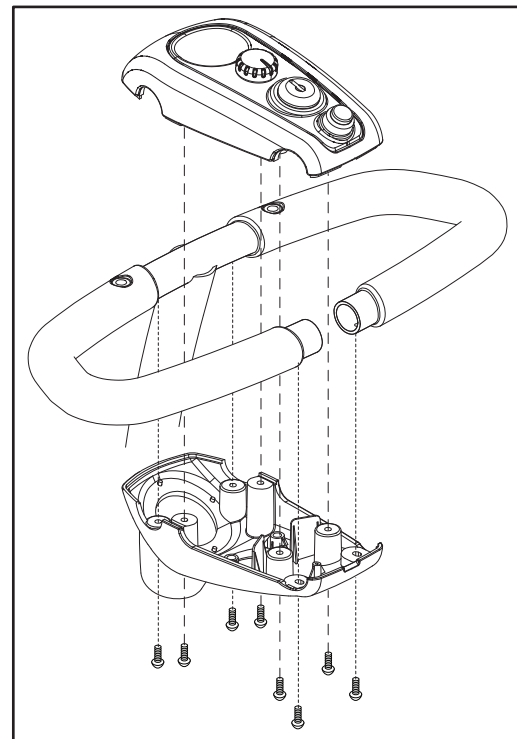
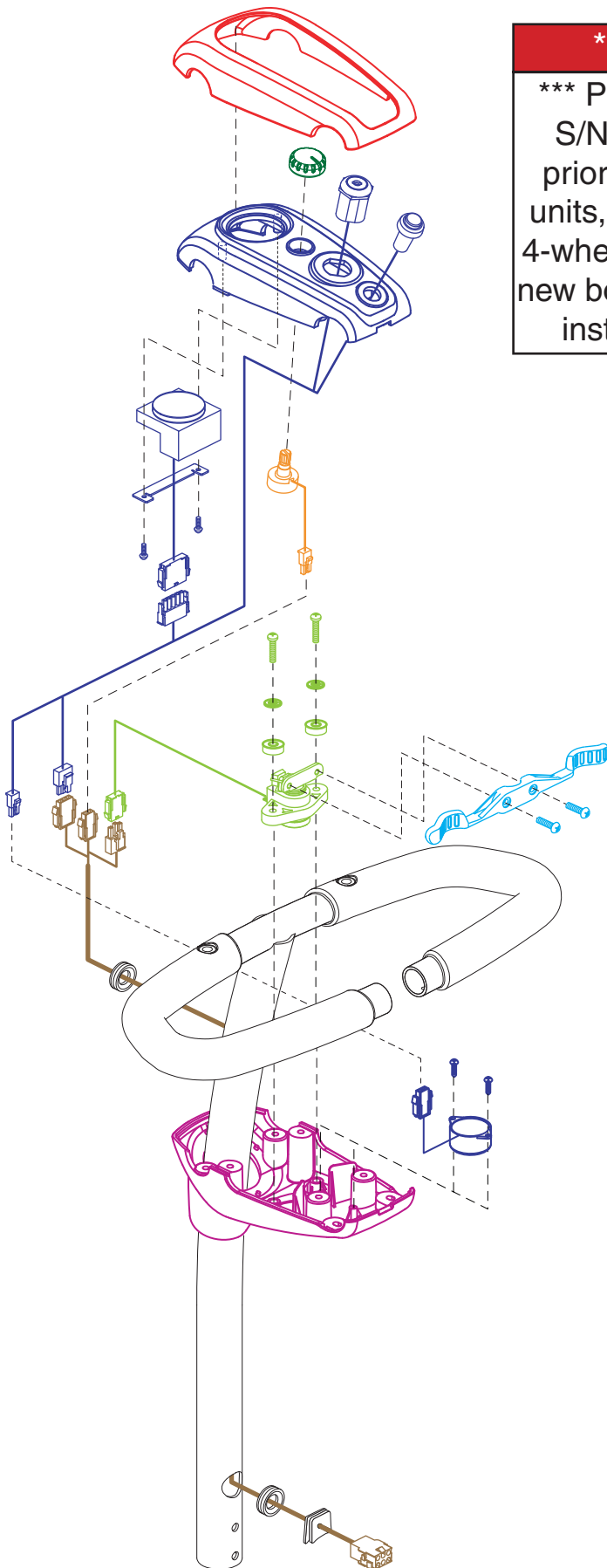
REF #	PART #	DESCRIPTION	QTY	Dealer (CA\$)	MSRP (CA\$)
A1	DRVASMB2066	MOTOR,ASSY,MAIN TRANSAXLE/MOTOR/BRAKE,W/POWER CONNECTOR,SC53/SC54,E-1211-015,(FEISHEN: FS250)	1	\$305.4	\$509
B1	DRVASMB2093	BRAKE,ASSY,W/POWER CONNECTOR AND MOTOR,FEISHEN,SC53/SC54	1	\$66	\$110
C1	DRVASMB2094	TRANSAXLE,ASSY,SHORT SHAFT,W/HARDWARE,FEISHEN	1	\$201.6	\$336
D1	INDPART2661	SPACER,WHEEL,19.1MM ID X 28MM OD X 2MM THK,(FSN: 01.03.02.109)	2	N/A	N/A
E1	INDPART2660	MOTOR,COUPLER,FOR FEISHEN T2 MOTOR,(FSN: FS400-15)	1	N/A	N/A
F1	INDPART2750	ISOLATOR,BLACK,POLYURETHANE,T3 TRANSAXLE,(FEISHEN: FS250-03)	2	\$1.33	\$2.21

**\*\*\*Throttle Pot Replacement\*\*\***

\*\*\* Please note: Units manufactured prior to S/N: **SD213611097FV0** for 3-wheel units, prior to S/N: **SB813611053FV0** for 4-wheel units, and prior to S/N: **SD313611104FV0** for 4-wheel HD units **REQUIRE** the selection of a new bottom tiller shroud(E1) and the assembly instructions(J1) for proper installation.\*\*\*

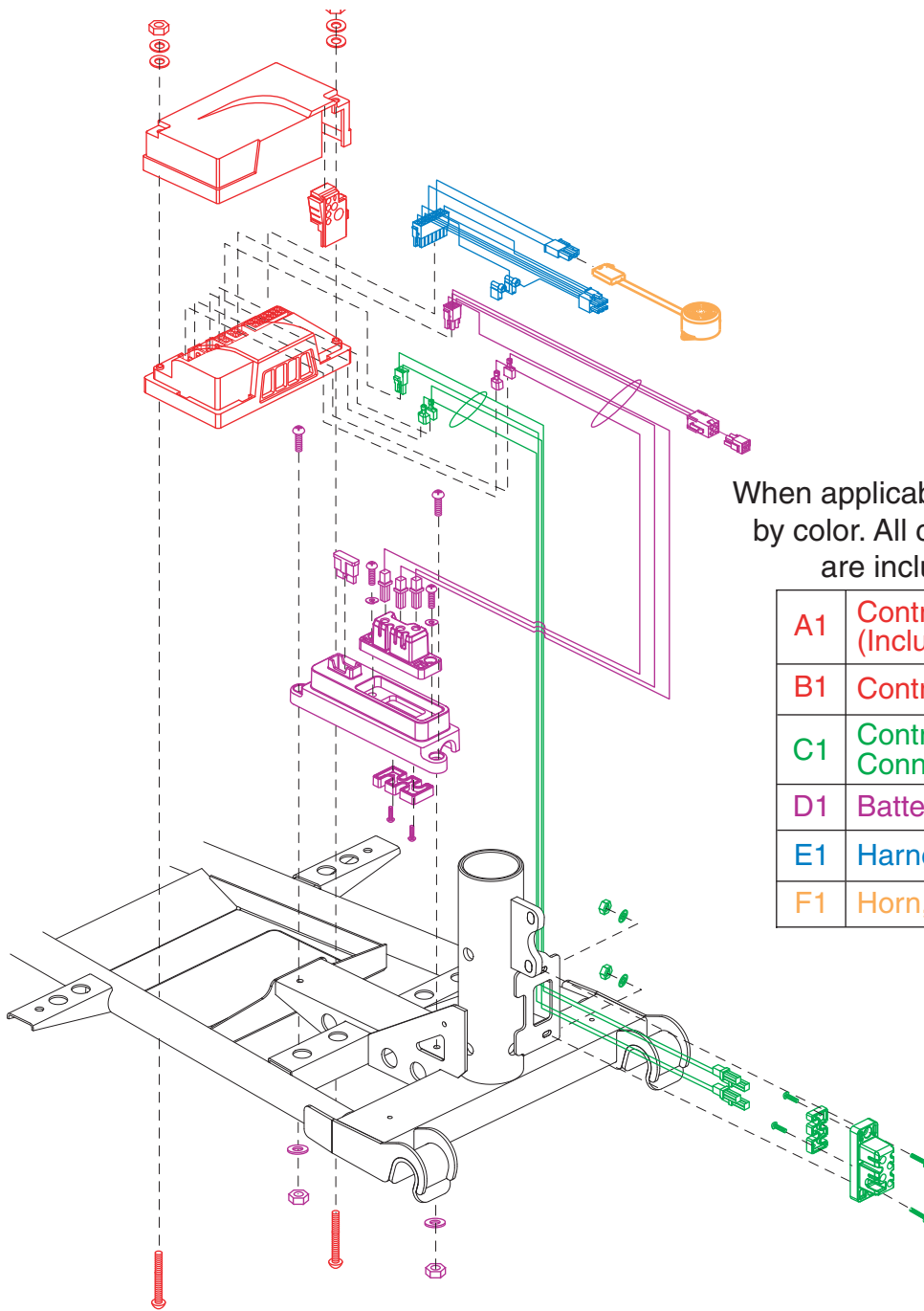
When applicable, assemblies are grouped by color. All components with that color are included in the assembly.

A1	Top Console/Shroud Assy (Includes B1)
B1	Console Assy (Includes C1 & D1)
C1	Speed Pot Harness
D1	Knob
E1	Bottom Console Assy
F1	Throttle Control Lever
G1	Throttle Pot Assy
H1	3-Wheel Front to Rear Harness
I1	4-Wheel Front to Rear Harness
J1	Throttle Pot Installation Instructions (Not shown)





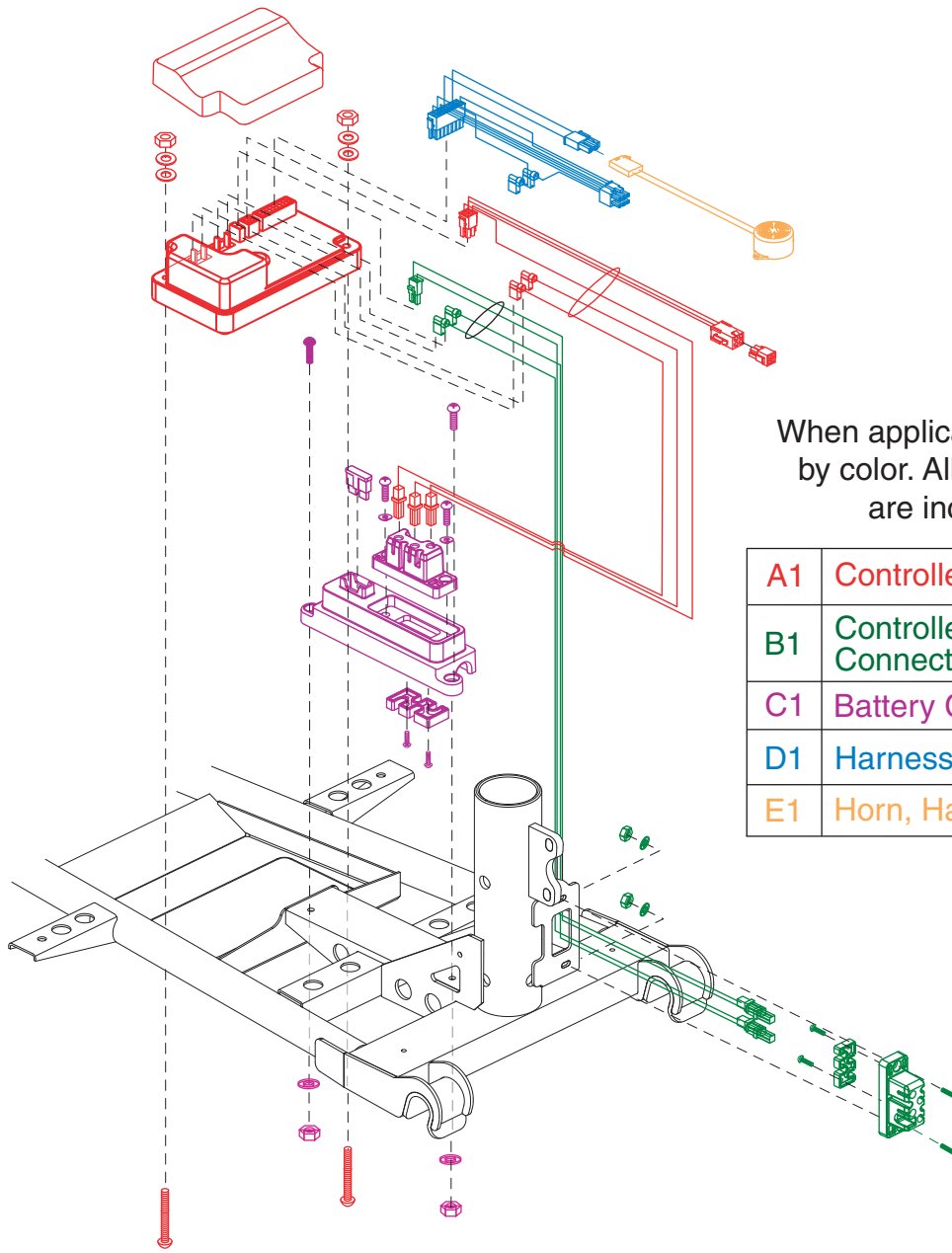
REF #	PART #	DESCRIPTION	QTY	Dealer (CA\$)	MSRP (CA\$)
A1	SHDASMB4812	SHROUD,ASSY, TOP CONSOLE, BLACK TEXTURED, RED INSERT, SC53/SC54	1	N/A	N/A
B1	ELEASMB6655	ELECTRONIC, ASSY, CONSOLE, DELTA TILLER W/LED METER, SC53/SC54, H-9984-006	1	\$40.8	\$68
C1	DWR9975H010	ELECTRONIC, HARNESS, SPEED POT, CTS, 25K, H-9975-010	1	N/A	N/A
D1	DWR9984B004	KNOB, TILLER, SPEED, BLACK, PLASTIC, ABS, LOW PROFILE, SC53/54, B-9984-004	1	\$1	\$1.66
E1	SHDASMB4813	SHROUD, ASSY, CONSOLE BOTTOM, BLACK TEXTURED, SC53/SC54	1	\$2.65	\$4.41
F1	FRMASMB9846	STANDARD PARTS, ASSY, LEVER, DELTA, THROTTLE CONTROL, SC53/54	1	\$1.99	\$3.31
G1	ELEASMB7020	ELECTRONIC, ASSY, THROTTLE POT, CTS W/ISO RESISTOR	1	\$30.6	\$51
H1	DWR9982H001	ELECTRONIC, HARNESS, FRONT-TO-REAR, 3 WHEEL, SC40E, H-9982-001	1	\$15	\$25
I1	DWR9983H006	ELECTRONIC, HARNESS, FRONT-TO-REAR, H-9983-006	1	\$1.99	\$3.31
J1	INFINFB3022	MANUAL, INSTALLATION INSTRUCTIONS, THROTTLE POT AND LOWER CONSOLE REPLACEMENT INSTRUCTIONS, SC53/SC54	1	N/A	N/A



When applicable, assemblies are grouped by color. All components with that color are included in the assembly.

A1	Controller Assembly (Includes All Components)
B1	Controller
C1	Controller/Motorbrake/ Connector Assembly
D1	Battery Connector Assembly
E1	Harness, Controller Interface
F1	Horn, Harness

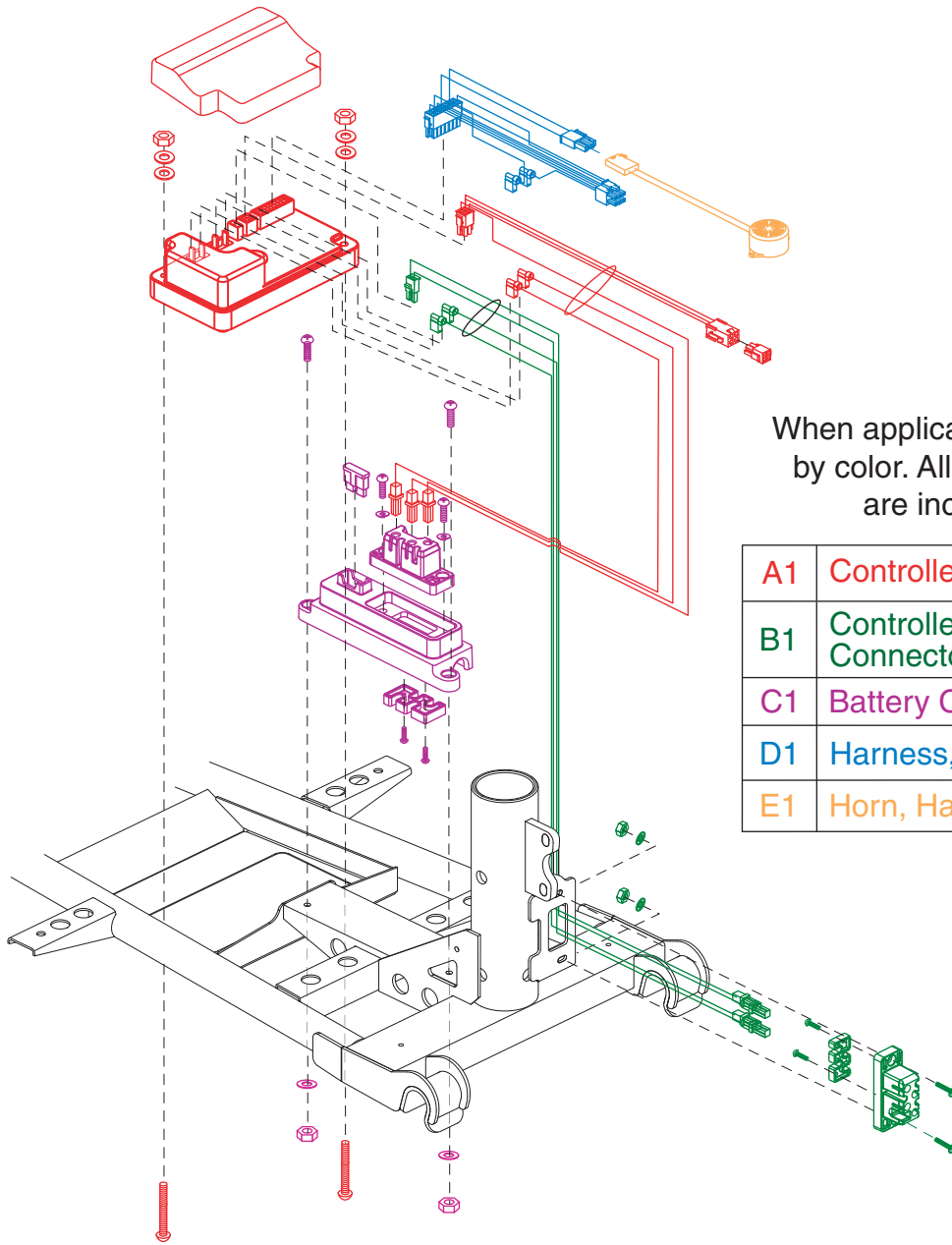
REF #	PART #	DESCRIPTION	QTY	Dealer (CA\$)	MSRP (CA\$)
A1	ELE148471	ELECTRONIC,ASSY,CONTROLLER,DYNAMIC V2.07, 50AMP, GOGO ELITE TRAVELLER PLUS SC53/SC54	1	\$148.2	\$247
B1	CTL148317	ELECTRONIC,ASSY,CONTROLLER,DYNAMIC V2.07, 50AMP, GOGO ELITE TRAVELLER PLUS SC53/SC54	1	N/A	N/A
C1	ELEASMB6823	ELECTRONIC,ASSY,CONTROLLER/MOTOR/BRAKE CONNECTOR,HOUSING,R-SERIES,ELITE SERIES	1	\$20.4	\$34
D1	ELE153022	ELECTRONIC,ASSY,BATTERY CONNECTOR/CONTROLLER,DYNAMIC,XLR CONSOLE,SC40E/44E	1	\$9.6	\$16
E1	DWR9983H004	ELECTRONIC,HARNESS,CONTROLLER,INTERFACE,S-DRIVE READY,H-9983-004	1	\$15	\$25
F1	DWR9555H018	ELECTRONIC,HARNESS, HORN,H-9555-018	1	\$11.4	\$19



When applicable, assemblies are grouped by color. All components with that color are included in the assembly.

A1	Controller Assembly (Includes B1 - E1)
B1	Controller/Motorbrake/Connector Assembly
C1	Battery Connector
D1	Harness, Controller Interface
E1	Horn, Harness

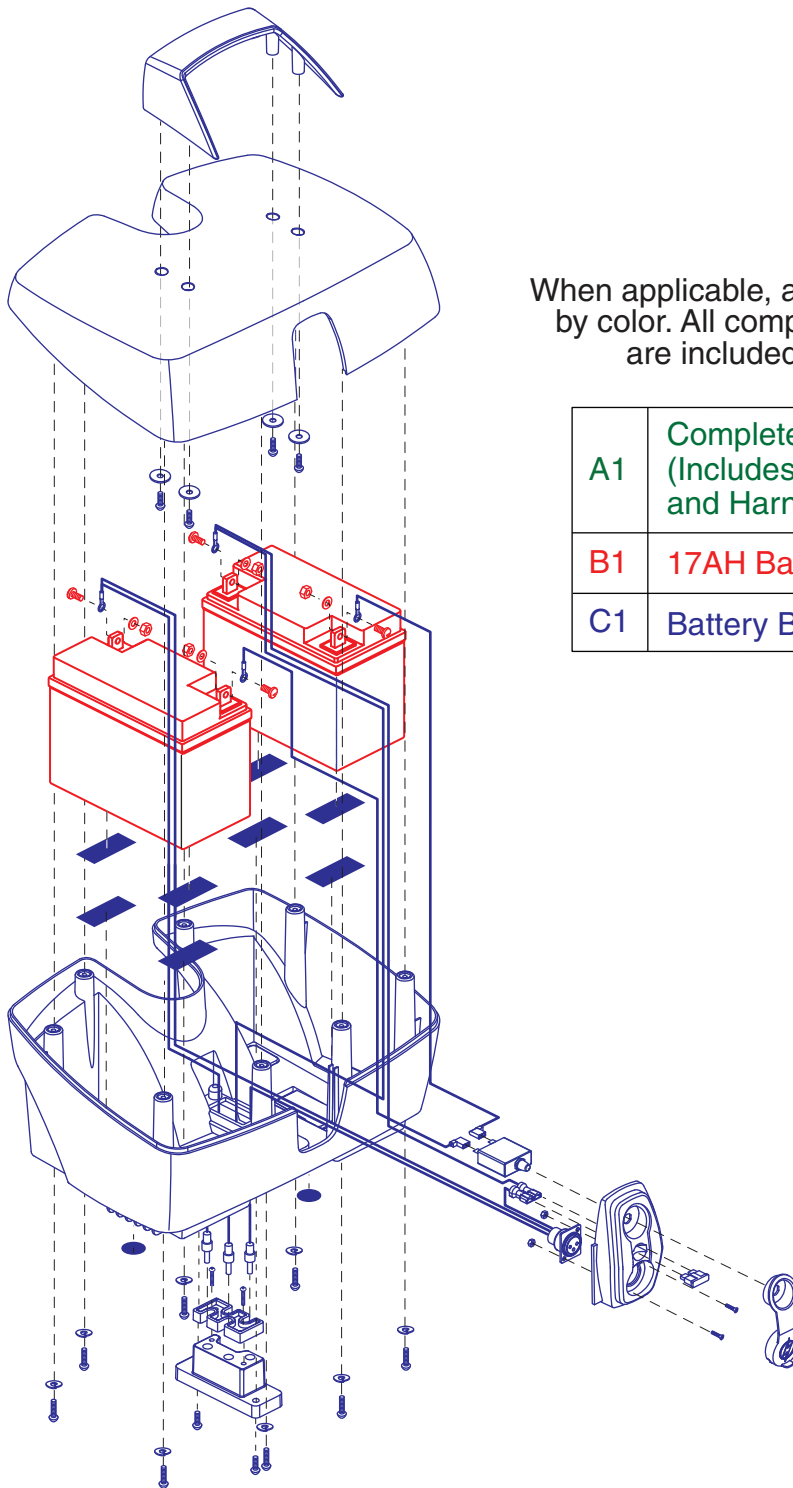
REF #	PART #	DESCRIPTION	QTY	Dealer (CA\$)	MSRP (CA\$)
A1	ELEASMB5008	ELECTRONIC,ASSY,CONTROLLER ELECTRONICS,SC53/SC54	1	N/A	N/A
B1	ELEASMB4852	ELECTRONIC,ASSY,CONTROLLER/MOTOR/BRAKE CONNECTOR,HOUSING,SC40E/44E	1	\$7.2	\$12
C1	ELEASMB4830	ELECTRONIC,ASSY,BATTERY CONNECTOR/CONTROLLER,SC40E/44E	1	\$15	\$25
D1	DWR9983H004	ELECTRONIC,HARNESS,CONTROLLER,INTERFACE,S-DRIVE READY,H-9983-004	1	\$14.4	\$24
E1	DWR9555H018	ELECTRONIC,HARNESS, HORN,H-9555-018	1	\$10.8	\$18



When applicable, assemblies are grouped by color. All components with that color are included in the assembly.

A1	Controller Assembly (Includes B1 - E1)
B1	Controller/Motorbrake/Connector Assembly
C1	Battery Connector
D1	Harness, Controller Interface
E1	Horn, Harness

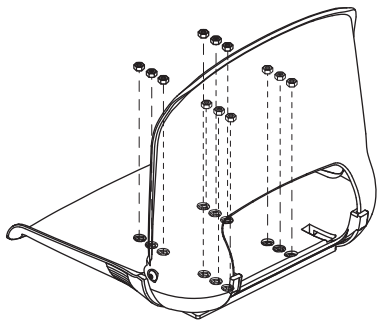
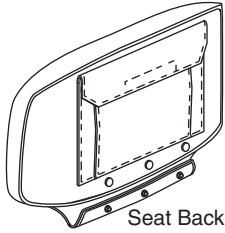
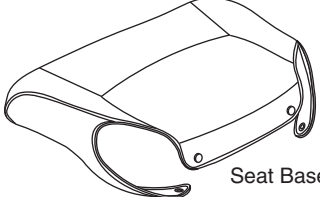
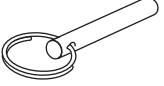
REF #	PART #	DESCRIPTION	QTY	Dealer (CA\$)	MSRP (CA\$)
A1	ELE140530	ELECTRONIC,ASSY,CONTROLLER ELECTRONICS,S-DRIVE MK II,SC53/SC54	1	N/A	N/A
B1	ELEASMB4852	ELECTRONIC,ASSY,CONTROLLER/MOTOR/BRAKE CONNECTOR,HOUSING,SC40E/44E	1	\$7.2	\$12
C1	ELEASMB4830	ELECTRONIC,ASSY,BATTERY CONNECTOR/CONTROLLER,SC40E/44E	1	\$15	\$25
D1	DWR9983H004	ELECTRONIC,HARNESS,CONTROLLER,INTERFACE,S-DRIVE READY,H-9983-004	1	\$14.4	\$24
E1	DWR9555H018	ELECTRONIC,HARNESS, HORN,H-9555-018	1	\$10.8	\$18

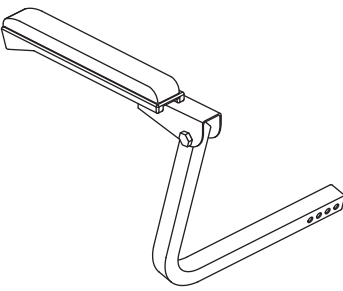
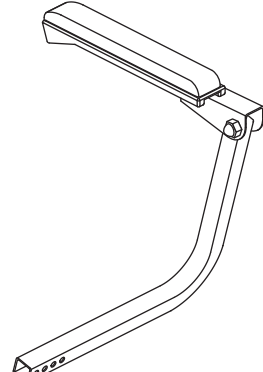
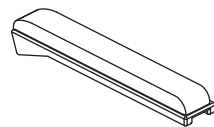


When applicable, assemblies are grouped by color. All components with that color are included in the assembly.

A1	Complete Battery Box Assy (Includes the Box, Batteries and Harnessing)
B1	17AH Battery
C1	Battery Box Assembly

REF #	PART #	DESCRIPTION	QTY	Dealer (CA\$)	MSRP (CA\$)
A1	BATASMB1045	BATTERY,ASSY,BOX,17AMP,ELITE	1	\$289.8	\$483
B1	BATLIQ1000	BATTERY,AGM,17AH,H-1000-137	2	\$97.2	\$162
C1	PLSASMB2059	ELECTRONIC,ASSY,BATTERY BOX,17 AMP,ELITE,W/OUT BATTERIES	1	\$97.2	\$162

<p><b>A1 - M1 Complete Seat Assembly</b></p> <p>Complete Seat Assembly includes: Molded Seat, Seat Covers, Seat Frame Assembly, Armrests, and all required hardware.</p>	<p><b>A1 Plastic Assembly</b></p> 	<p><b>B1 Seat Cover Assembly</b></p> <p>Individual seat covers are not available for replacement. The assembly must be purchased.</p>  <p style="text-align: right;">Seat Back Cover</p>  <p style="text-align: right;">Seat Base Cover</p>
<p><b>L1 Accessory Pin</b></p> 		

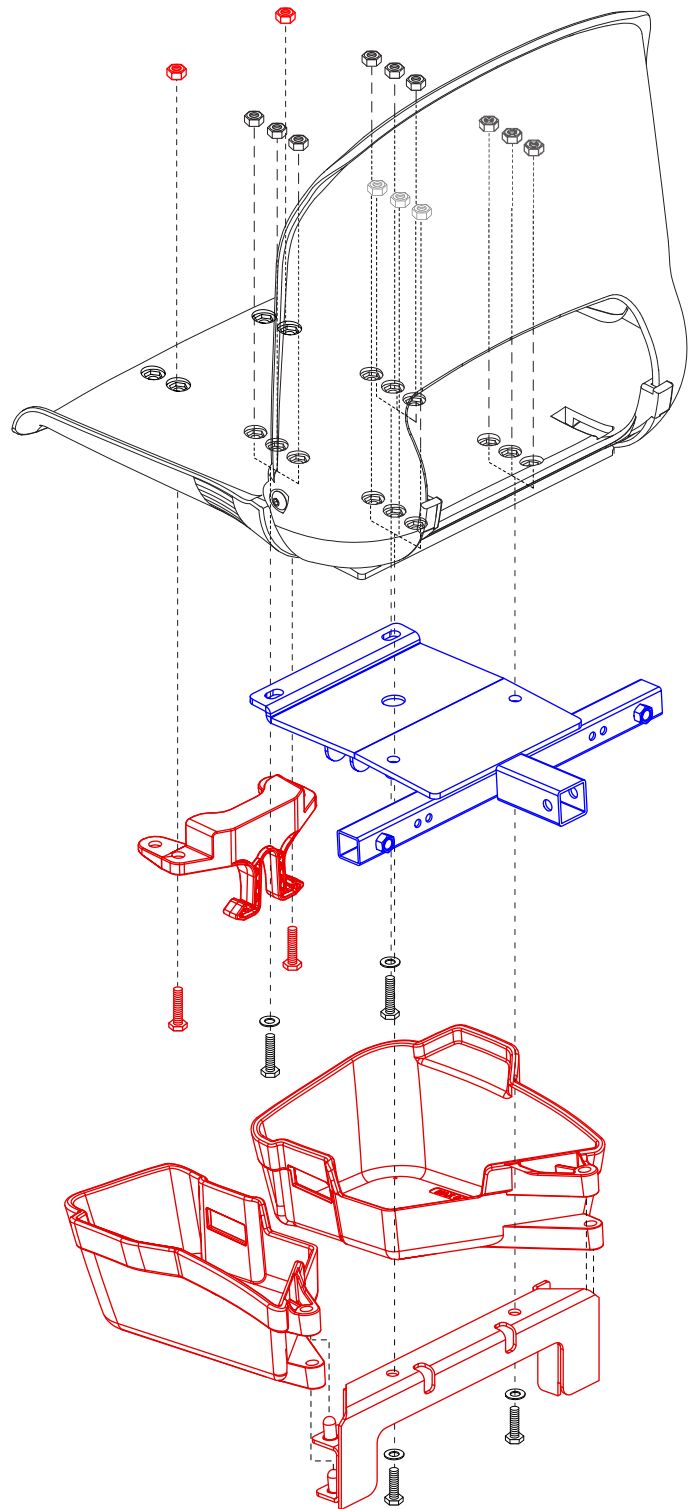
<p><b>C1 Complete Seat Frame Assy</b></p> <p>The Seat Frame Assembly includes: the Seat Plate Assy Armrest Assemblies, and required hardware.</p>	<p><b>D1 Left Armrest Assembly</b></p> 	<p><b>E1 Right Armrest Assembly</b></p> 
<p><b>F1 Armpad</b></p> 		

REF #	PART #	DESCRIPTION	QTY	Dealer (CA\$)	MSRP (CA\$)
A1 - M1	SET151005	SEAT,ASSY,MOLDED PLASTIC,BLACK VINYL,17"W,17"D,14"H,W/EMBROIDERED PRIDE LOGO	1	\$174	\$290
A1	PLSASMB2053	PLASTIC,ASSY,17"W,17"D,MOLDED PLASTIC,SEAT BACK/SEAT BASE	1	\$77.4	\$129
B1	SET151004	SEAT,ASSY,BLACK VINYL,MOLDED PLASTIC,17"W,17"D,W/EMROIDERED PRIDE LOGO	1	N/A	N/A
C1	FRMASMB9823	FRAME,SEAT FRAME,ASSY,MOLDED PLASTIC SEAT	1	N/A	N/A
D1	FRMASMB9827	ARMREST,ASSY,BLACK,LEFT,MOLDED PLASTIC SEAT	1	\$52.8	\$88
E1	FRMASMB9828	ARMREST,ASSY,BLACK,RIGHT,MOLDED PLASTIC SEAT	1	\$52.8	\$88
F1	ARM153519	ARMREST,PAD,BLACK,LEFT/RIGHT,10 INCH,UNIVERSAL,(SHUXIN: SX0371-3)	1	N/A	N/A
G1	MEC152067	SEAT PLATE ASSEMBLY - GOGO	1	N/A	N/A
H1	DWR9998C016	LEVER,SEAT RELEASE,ZINC PLATED,REVO,C-9998-016	1	\$3.6	\$6
I1	SPGRAW1010	SPRING, RAW,LEVER LOCKING SC150	1	\$.16	\$.27
J1	DWR1000B152	HANDLE,LOCK KNOB,B-1000-152	2	\$1.63	\$2.72
K1	PINCOTD1000	PIN,COTTERLESS DETENT W/RING,.250" DIA X 1.50" GRIP LENGTH,B-1005-199	2	\$1.99	\$3.31
L1	PINCOTD1006	PIN,COTTERLESS DETENT W/RING,.375" DIA X 2.00" GRIP LENGTH,B-1005-169	1	\$1.2	\$2
*M1	DWR1234L923	DECAL,PINCH POINT,READ OWNERS MANUAL,L-1234-923	1	N/A	N/A

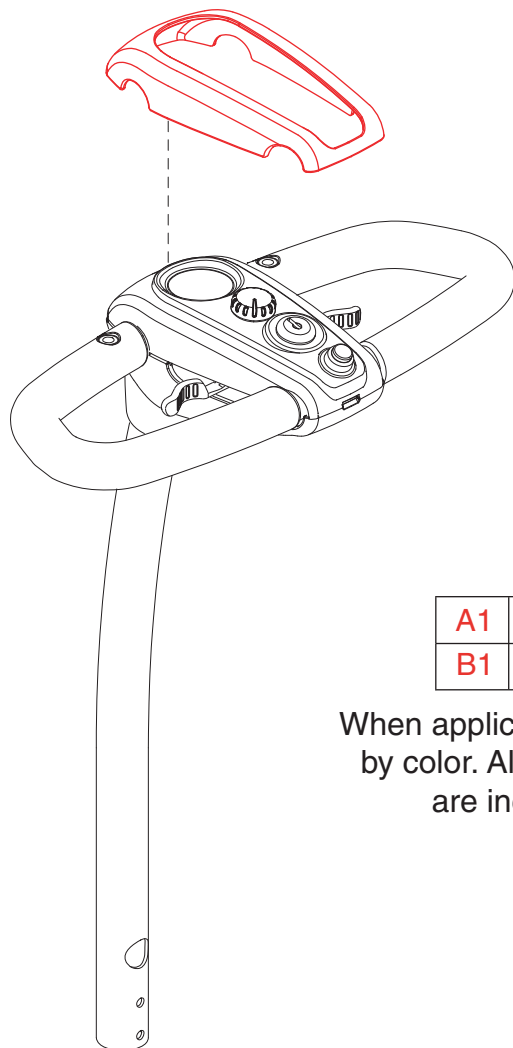
***Seat Plate Replacement***		
**Please note: Existing seat assemblies may require replacement of the seat plate. The seat plate is included in A1. Use this reference to select the correct assembly.**		
SET151005	Manufactured prior to 1/7/2016	Manufactured on or after 1/7/2016
	A1 - ACC160128	B1 - ACC160129
SETASMB5827	Manufactured prior to 12/12/2015	Manufactured on or after 12/12/2015
	A1 - ACC160128	B1 - ACC160129

A1	Under Seat Storage Assembly w/Seat Plate (Includes B1)
B1	Under Seat Storage Assembly

When applicable, assemblies are grouped by color. All components with that color are included in the assembly.



REF #	PART #	DESCRIPTION	QTY	Dealer (CA\$)	MSRP (CA\$)
A1	ACC160128	UNDERSEAT STORAGE ASSEMBLY,GOGO,SEAT PLATE INCLUDED	1	N/A	N/A
B1	ACC160129	UNDERSEAT STORAGE ASSEMBLY,GOGO,	1	N/A	N/A



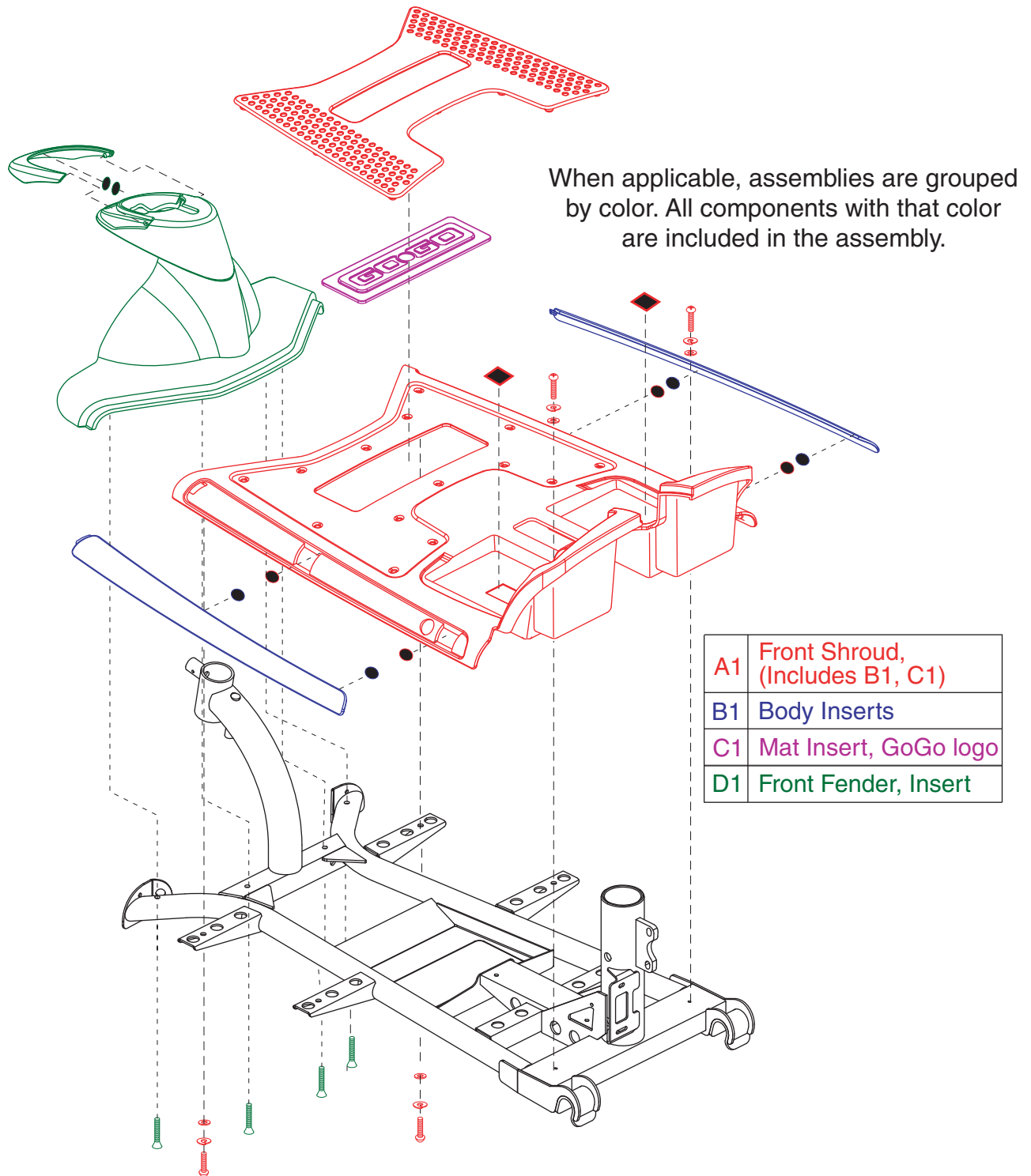
A1	Top Console, Blue
B1	Top Console, Silver

When applicable, assemblies are grouped by color. All components with that color are included in the assembly.



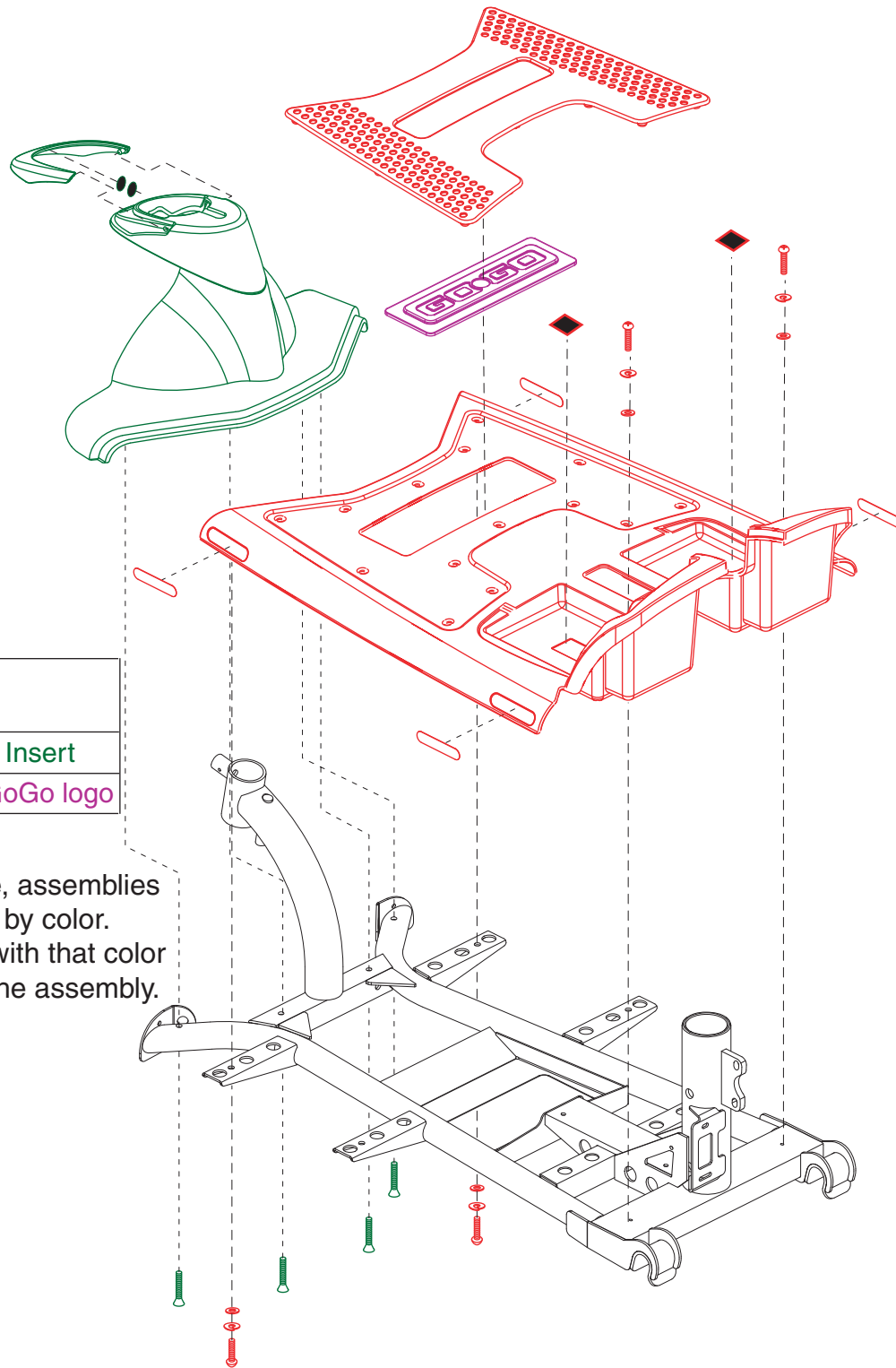
## V. Shroud Assembly — Console Insert

REF #	PART #	DESCRIPTION	QTY	Dealer (CA\$)	MSRP (CA\$)
A1	SHDASMB5043	SHROUD,ASSY, TOP CONSOLE, BLACK TEXTURED, BLUE INSERT, BODY INSERT, SC53/SC54	1	\$5.4	\$9
B1	SHDASMB5104	SHROUD,ASSY, TOP CONSOLE, BLACK TEXTURED, SILVER INSERT, BODY INSERT, SC53/SC54	1	\$2.52	\$4.2



A1	Front Shroud, (Includes B1, C1)
B1	Body Inserts
C1	Mat Insert, GoGo logo
D1	Front Fender, Insert

REF #	PART #	DESCRIPTION	QTY	Dealer (CA\$)	MSRP (CA\$)
A1	SHDASMB5091	SHROUD,ASSY,FRONT BODY,BLACK,RED INSERTS,SC53	1	N/A	N/A
B1	SHDASMB5092	SHROUD,ASSY,BODY INSERTS,FRONT,RED,SC53	1	N/A	N/A
C1	DWR9955D014	MAT,INSERT,GO-GO LOGO, SC40,D-9955-014	1	\$2.52	\$4.2
D1	SHDASMB5093	SHROUD,ASSY,FRONT FENDER,BLACK,RED INSERTS,SC53	1	\$9	\$15



A1	Front Shroud, (Includes B1)
B1	Front Fender, Insert
C1	Mat, Insert, GoGo logo

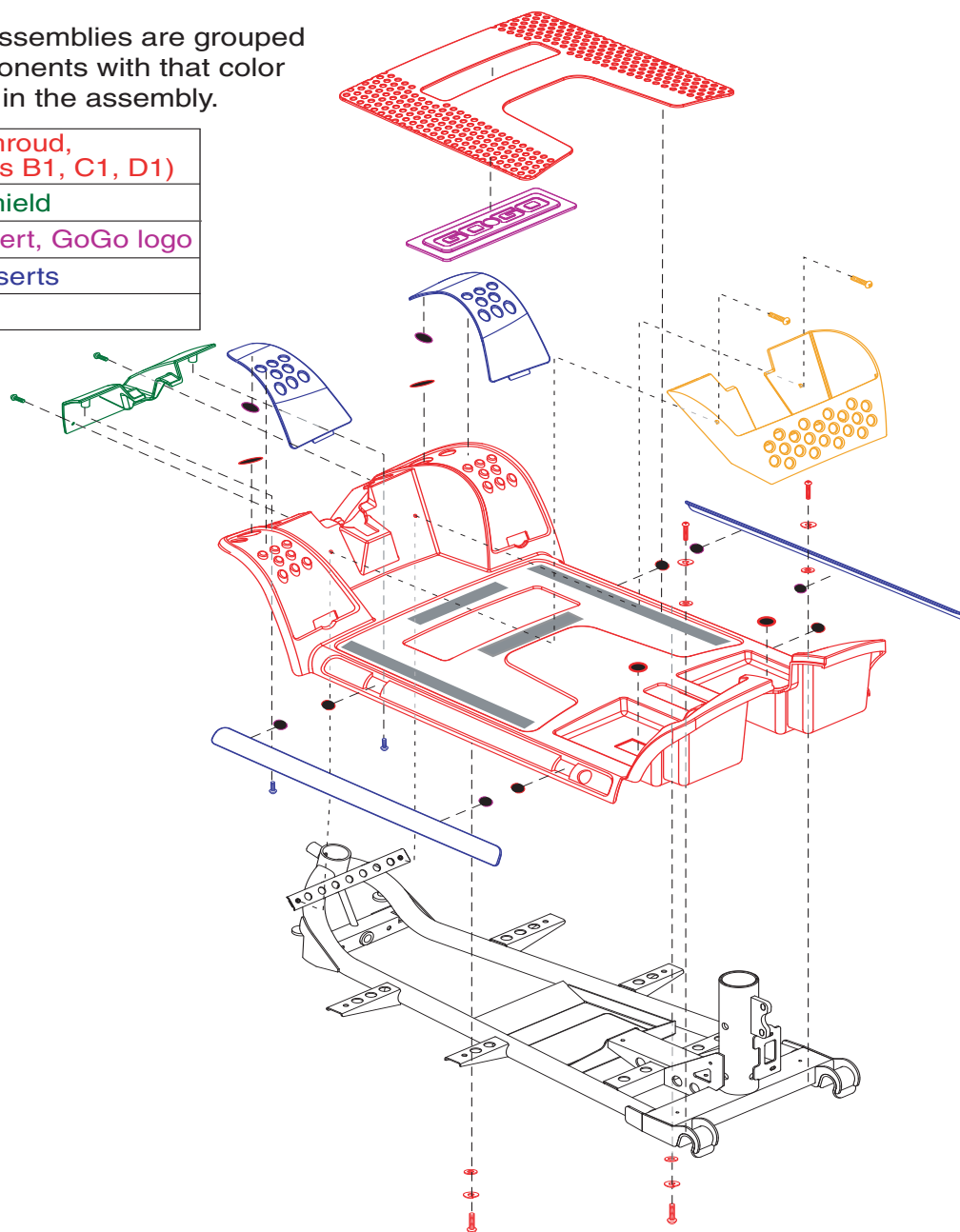
When applicable, assemblies are grouped by color. All components with that color are included in the assembly.

REF #	PART #	DESCRIPTION	QTY	Dealer (CA\$)	MSRP (CA\$)
A1	SHDASMB6138	SHROUD,ASSY,FRONT BODY,BLACK,RED INSERTS,S53	1	\$55.8	\$93
B1	SHDASMB5093	SHROUD,ASSY,FRONT FENDER,BLACK,RED INSERTS,SC53	1	\$9.6	\$16
C1	DWR9955D014	MAT,INSERT,GO-GO LOGO, SC40,D-9955-014	1	\$2.65	\$4.41

## V. Shroud Assembly — Front, 4-Wheel, Version 1

When applicable, assemblies are grouped by color. All components with that color are included in the assembly.

A1	Front Shroud, (Includes B1, C1, D1)
B1	Front Shield
C1	Mat, Insert, GoGo logo
D1	Body Inserts
E1	Basket

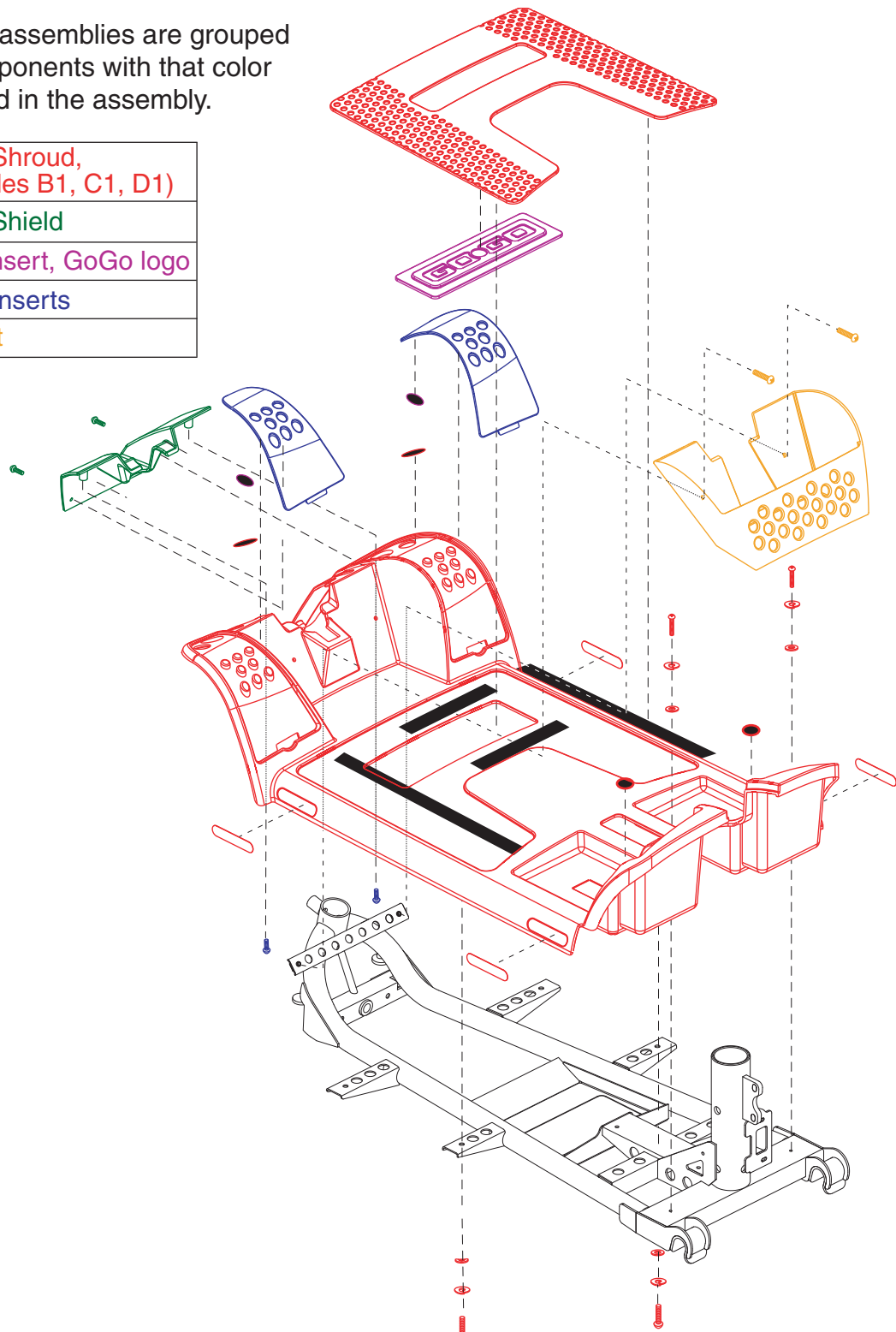


REF #	PART #	DESCRIPTION	QTY	Dealer (CA\$)	MSRP (CA\$)
A1	SHDASMB4673	SHROUD,ASSY,FRONT BODY,BLACK,RED INSERTS,SC44E	1	N/A	N/A
B1	SHDASMB4675	SHROUD,ASSY,FRONT SHIELD,BLACK,TEXTURED,SC44E	1	\$5.4	\$9
C1	DWR9955D014	MAT,INSERT,GO-GO LOGO, SC40,D-9955-014	1	\$2.52	\$4.2
D1	SHDASMB4674	SHROUD,ASSY,BODY INSERTS,FRONT,RED,SC44E	1	\$21	\$35
E1	ACCASMB2101	BASKET,ASSY,BLACK,PLASTIC,FRONT DECK,SC44E	1	N/A	N/A

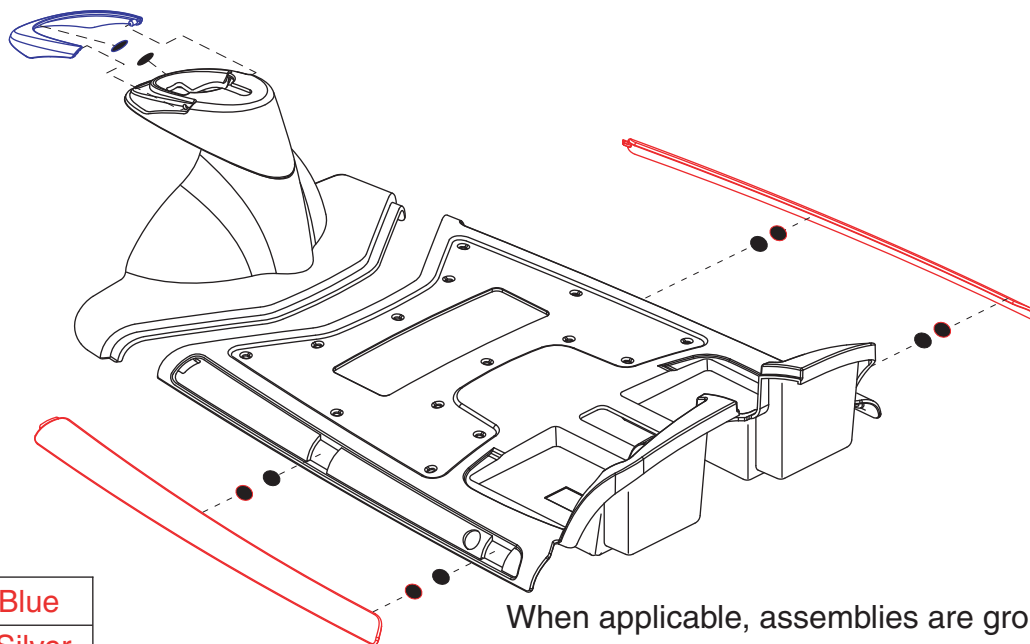
# V. Shroud Assembly — Front, 4-Wheel, Version 2

When applicable, assemblies are grouped by color. All components with that color are included in the assembly.

A1	Front Shroud, (Includes B1, C1, D1)
B1	Front Shield
C1	Mat, Insert, GoGo logo
D1	Body Inserts
E1	Basket



REF #	PART #	DESCRIPTION	QTY	Dealer (CA\$)	MSRP (CA\$)
A1	SHDASMB6123	SHROUD,ASSY,FRONT BODY,SOLID BLACK,RED INSERTS,S44E	1	\$50.4	\$84
B1	SHDASMB4675	SHROUD,ASSY,FRONT SHIELD,BLACK,TEXTURED,SC44E	1	\$5.4	\$9
C1	DWR9955D014	MAT,INSERT,GO-GO LOGO, SC40,D-9955-014	1	\$2.52	\$4.2
D1	SHDASMB4674	SHROUD,ASSY,BODY INSERTS,FRONT,RED,SC44E	1	\$21	\$35
E1	ACCASMB2101	BASKET,ASSY,BLACK,PLASTIC,FRONT DECK,SC44E	1	N/A	N/A

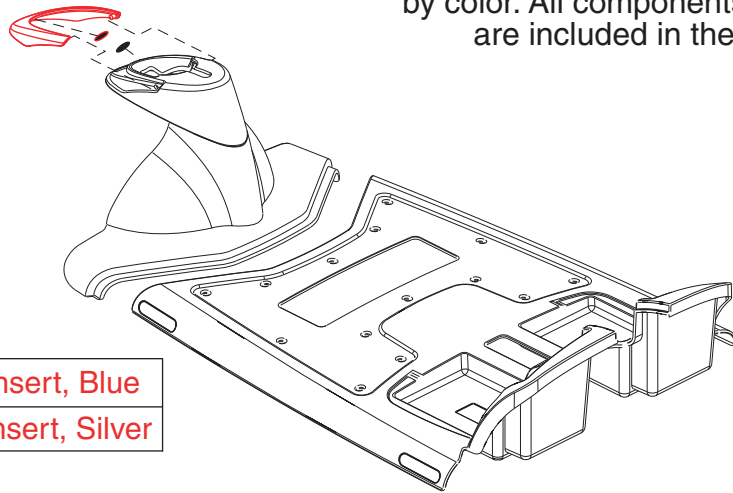


When applicable, assemblies are grouped by color. All components with that color are included in the assembly.

A1	Body Inserts, Blue
B1	Body Inserts, Silver
C1	Fender Insert, Blue
D1	Fender Insert, Silver

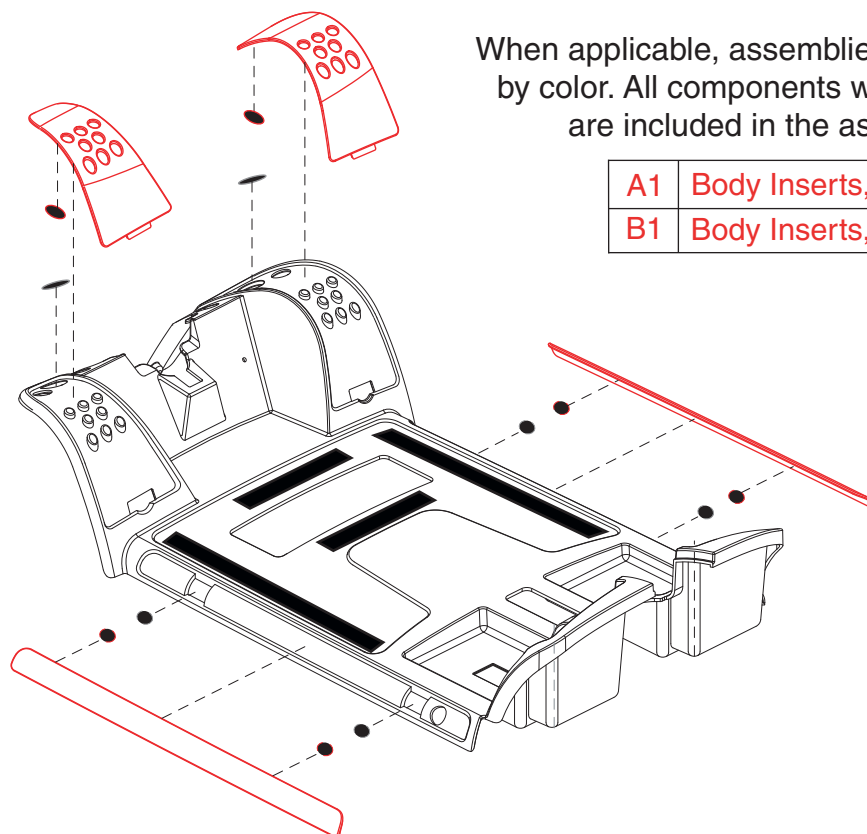
REF #	PART #	DESCRIPTION	QTY	Dealer (CA\$)	MSRP (CA\$)
A1	SHDASMB5098	SHROUD,ASSY,BODY INSERTS,FRONT,BLUE,SC53	1	\$5.4	\$9
B1	SHDASMB5100	SHROUD,ASSY,BODY INSERTS,FRONT,SILVER,SC53	1	\$5.4	\$9
C1	SHDASMB4694	SHROUD,ASSY,FENDER INSERT,FRONT,BLUE,SC40E	1	N/A	N/A
D1	SHDASMB4697	SHROUD,ASSY,FENDER INSERT,FRONT,SILVER,SC40E	1	\$4.2	\$7

When applicable, assemblies are grouped by color. All components with that color are included in the assembly.



A1	Fender Insert, Blue
B1	Fender Insert, Silver

REF #	PART #	DESCRIPTION	QTY	Dealer (CA\$)	MSRP (CA\$)
A1	SHDASMB4694	SHROUD,ASSY,FENDER INSERT,FRONT,BLUE,SC40E	1	N/A	N/A
B1	SHDASMB4697	SHROUD,ASSY,FENDER INSERT,FRONT,SILVER,SC40E	1	\$4.2	\$7

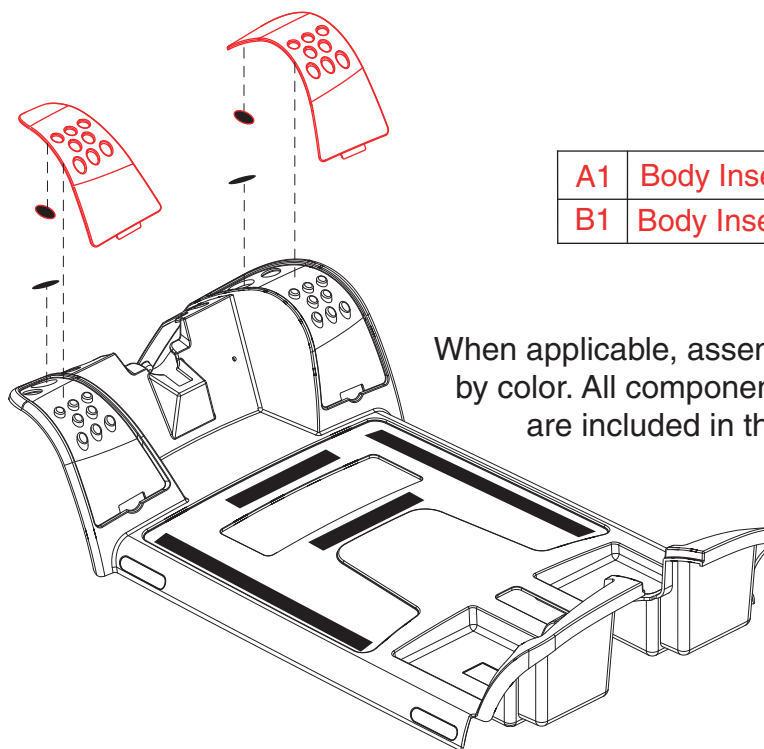


When applicable, assemblies are grouped by color. All components with that color are included in the assembly.

A1	Body Inserts, Blue
B1	Body Inserts, Silver

REF #	PART #	DESCRIPTION	QTY	Dealer (CA\$)	MSRP (CA\$)
A1	SHDASMB4681	SHROUD,ASSY,BODY INSERTS,FRONT,BLUE,SC44E	1	N/A	N/A
B1	SHDASMB4685	SHROUD,ASSY,BODY INSERTS,FRONT,SILVER,SC44E	1	N/A	N/A

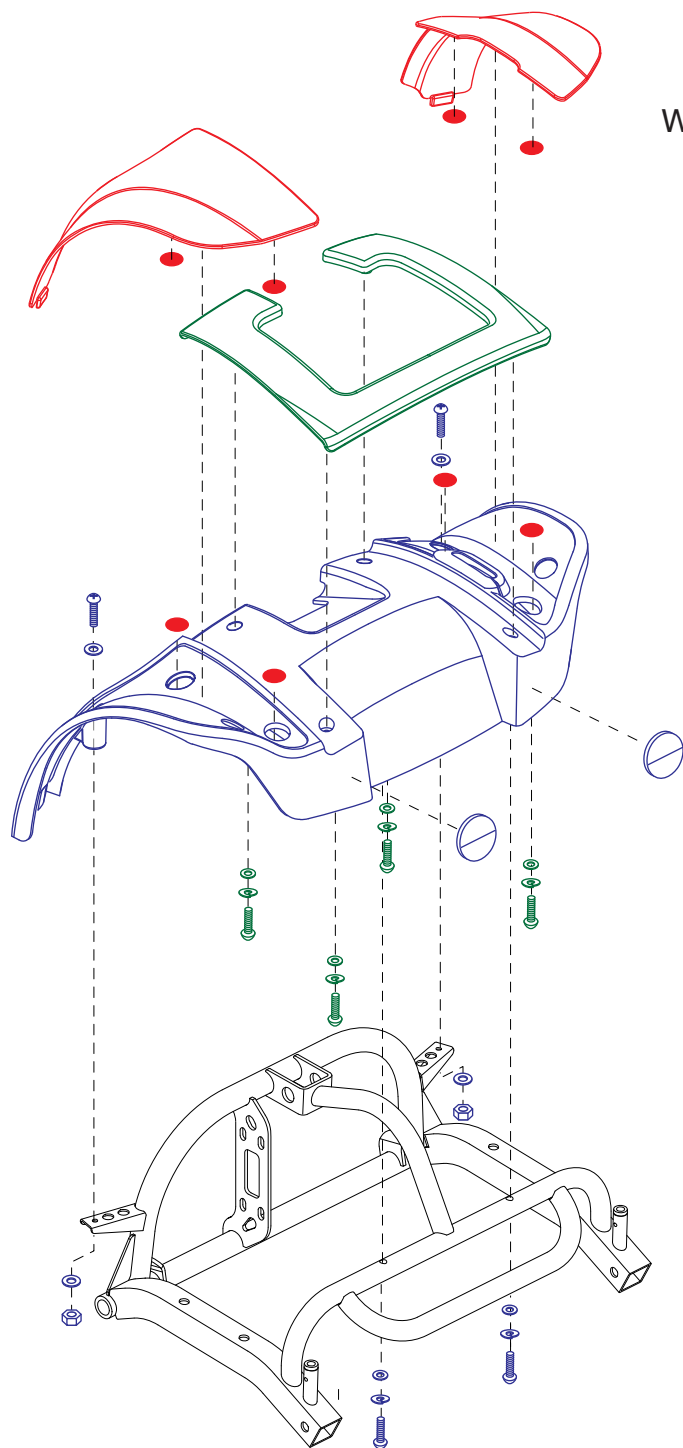




A1	Body Inserts, Blue
B1	Body Inserts, Silver

When applicable, assemblies are grouped by color. All components with that color are included in the assembly.

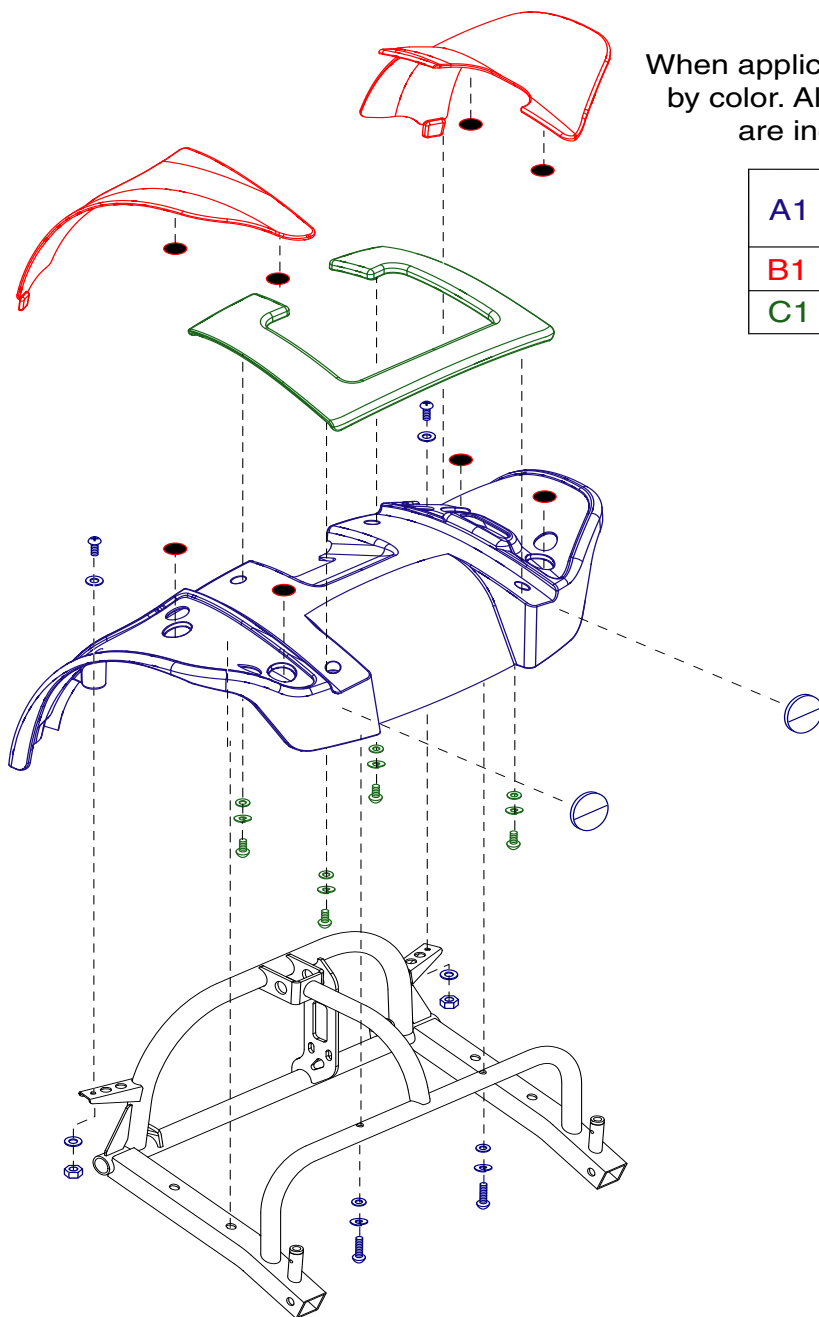
REF #	PART #	DESCRIPTION	QTY	Dealer (CA\$)	MSRP (CA\$)
A1	SHDASMB6127	SHROUD,ASSY,BODY INSERTS,FRONT,BLUE,S44E	1	N/A	N/A
B1	SHDASMB6129	SHROUD,ASSY,BODY INSERTS,FRONT,SILVER,S44E	1	N/A	N/A



When applicable, assemblies are grouped by color. All components with that color are included in the assembly.

A1	Rear Body Shroud (Includes B1 & C1)
B1	Body Inserts
C1	Handle Assembly

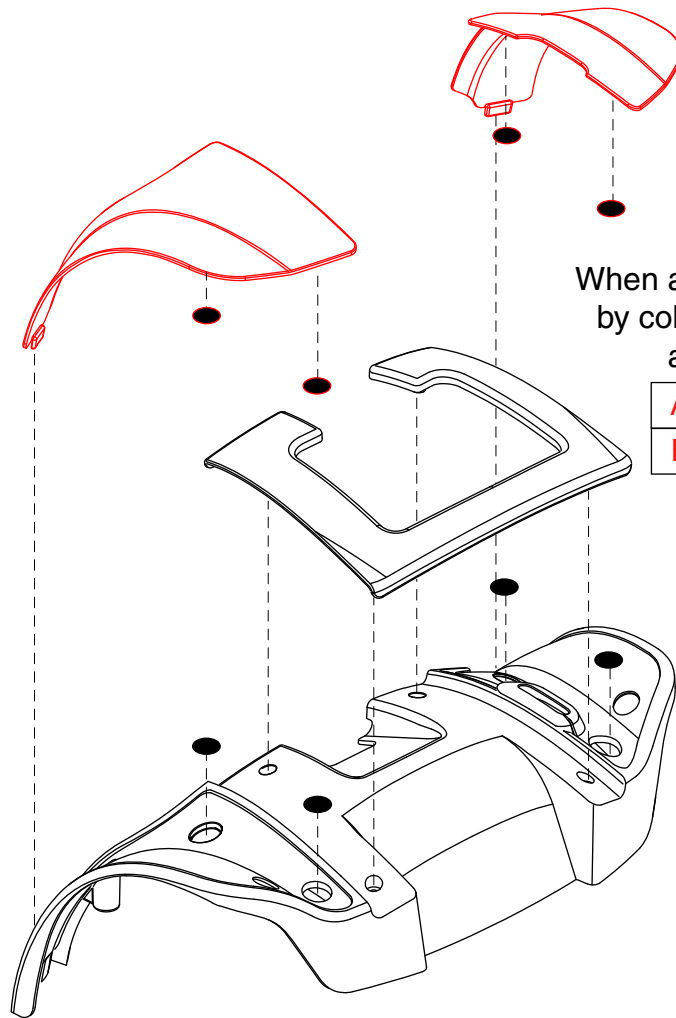
REF #	PART #	DESCRIPTION	QTY	Dealer (CA\$)	MSRP (CA\$)
A1	SHDASMB5094	SHROUD,ASSY,REAR BODY,BLACK,RED INSERTS,SC53	1	\$25.2	\$42
B1	SHDASMB5095	SHROUD,ASSY,BODY INSERTS,REAR,RED,SC53	1	\$9.6	\$16
C1	PLSASMB2058	PLASTIC,ASSY,HANDLE,BLACK,REAR WING,SC53	1	\$8.4	\$14



When applicable, assemblies are grouped by color. All components with that color are included in the assembly.

A1	Rear Body Shroud (Includes B1 & C1)
B1	Body Inserts
C1	Handle Assembly

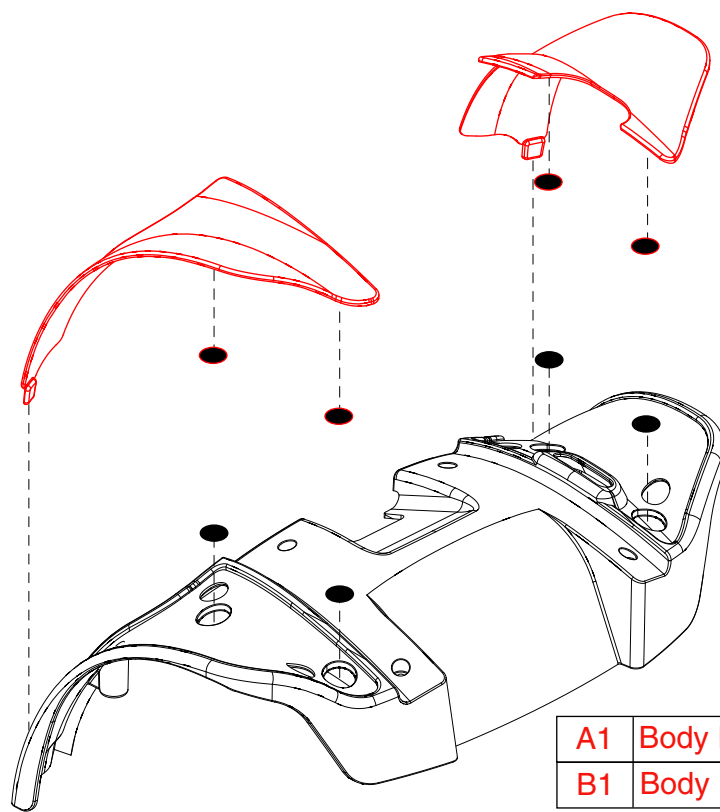
REF #	PART #	DESCRIPTION	QTY	Dealer (CA\$)	MSRP (CA\$)
A1	SHDASMB4814	SHROUD,ASSY,REAR BODY,BLACK,RED INSERTS,SC54	1	\$36	\$60
B1	SHDASMB4815	SHROUD,ASSY,BODY INSERTS,REAR,RED,SC54	1	\$15.6	\$26
C1	PLSASMB2014	PLASTIC,ASSY,HANDLE,BLACK,REAR WING,SC40E/44E	1	\$1.26	\$2.1



When applicable, assemblies are grouped by color. All components with that color are included in the assembly.

A1	Body Inserts, Rear, Blue
B1	Body Inserts, Rear, Silver

REF #	PART #	DESCRIPTION	QTY	Dealer (CA\$)	MSRP (CA\$)
A1	SHDASMB5099	SHROUD,ASSY,BODY INSERTS,REAR,BLUE,SC53	1	\$9	\$15
B1	SHDASMB5101	SHROUD,ASSY,BODY INSERTS,REAR,SILVER,SC53	1	\$9	\$15

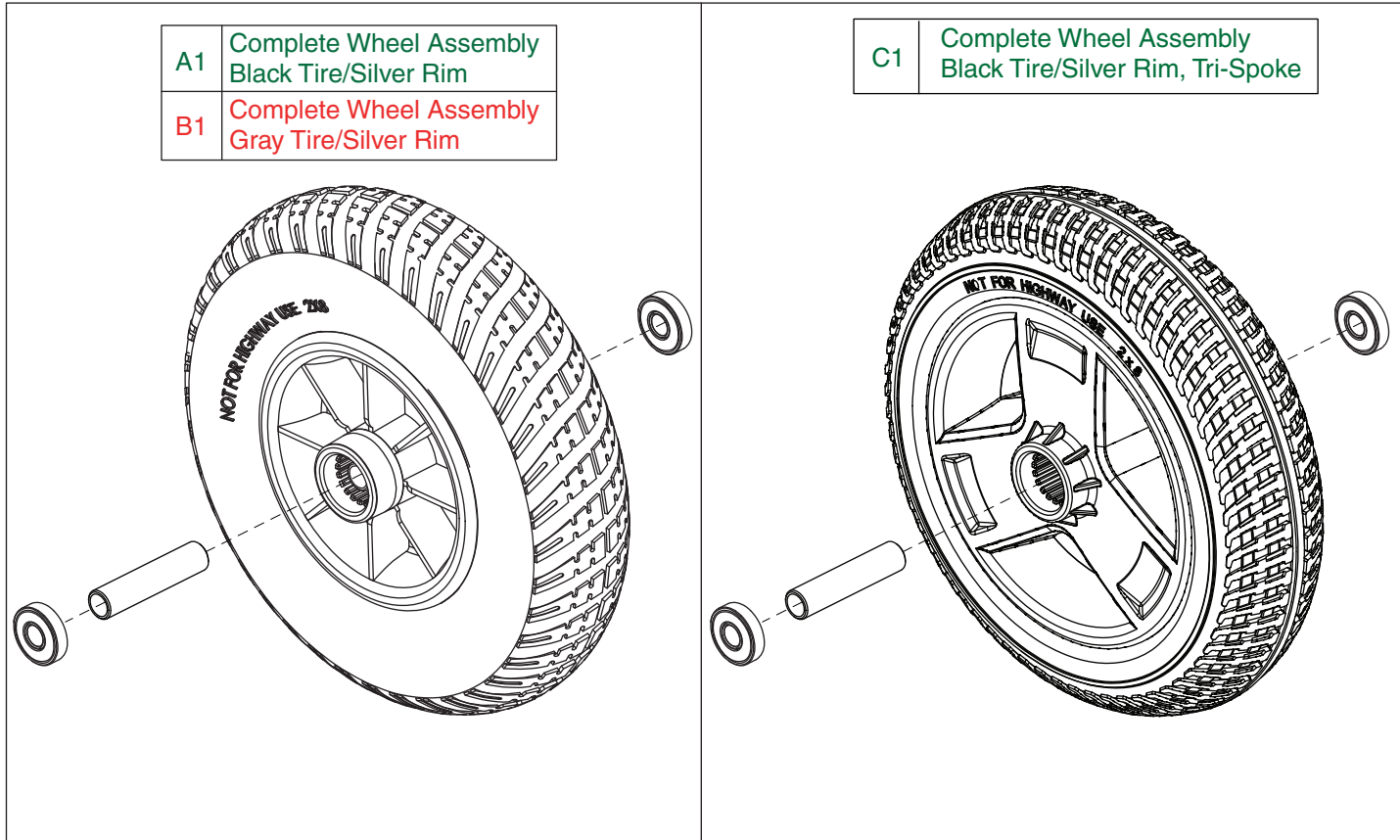


A1	Body Inserts, Rear, Blue
B1	Body Inserts, Rear, Silver

When applicable, assemblies are grouped by color. All components with that color are included in the assembly.

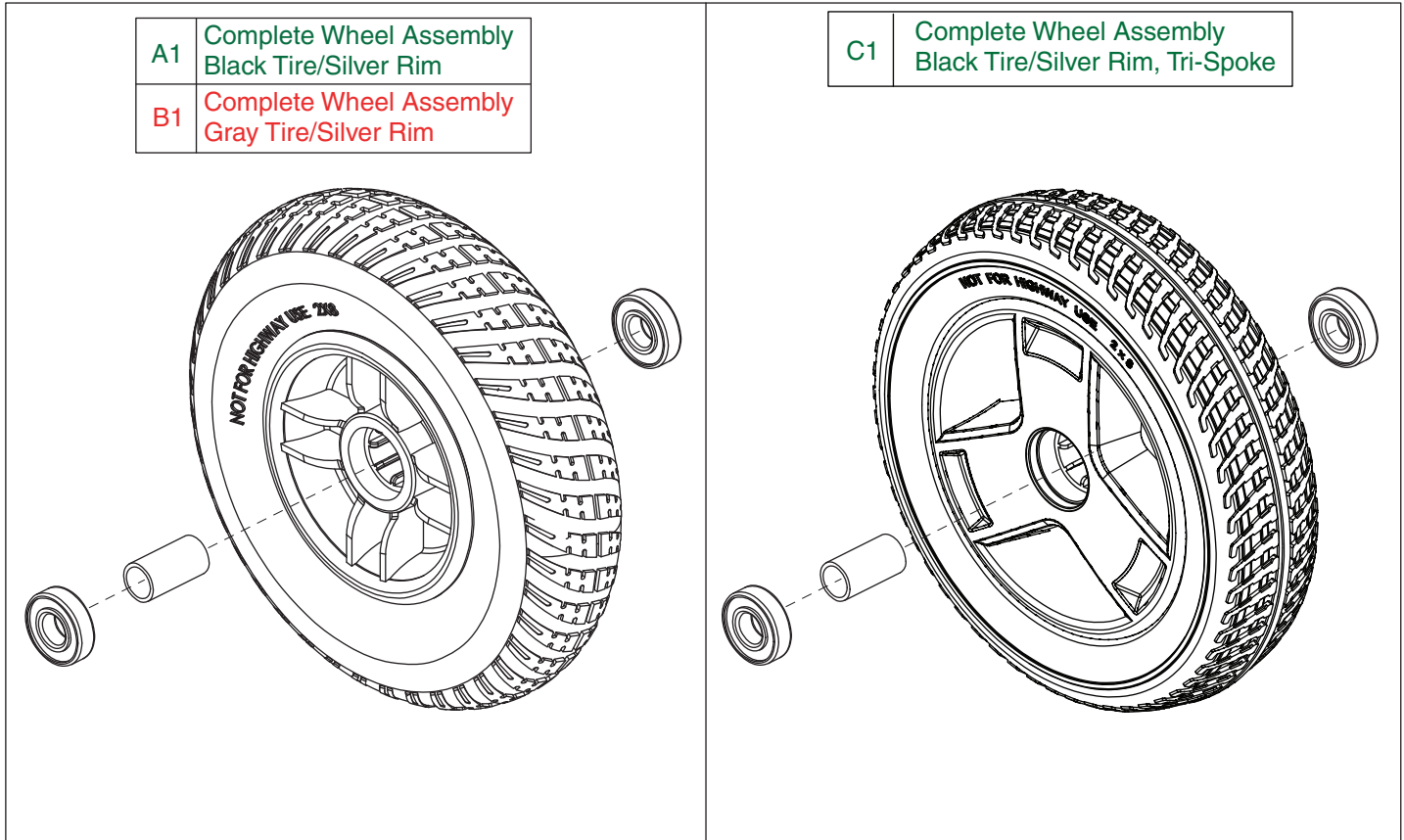
REF #	PART #	DESCRIPTION	QTY	Dealer (CA\$)	MSRP (CA\$)
A1	SHDASMB4811	SHROUD,ASSY,BODY INSERTS,REAR,BLUE,SC54	1	\$12	\$20
B1	SHDASMB5130	SHROUD,ASSY,BODY INSERTS,REAR,SILVER,SC54	1	\$14.4	\$24

## VI. Wheel Assembly — Front, 3-Wheel



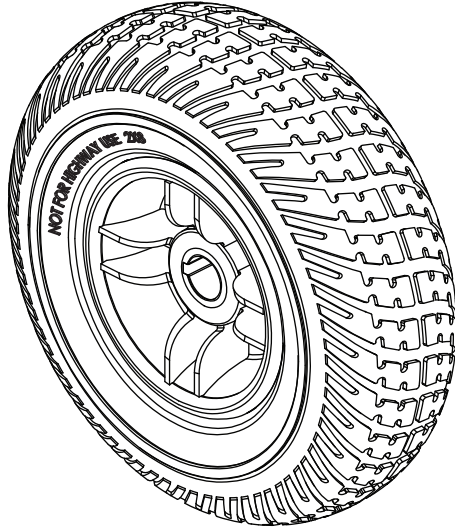
REF #	PART #	DESCRIPTION	QTY	Dealer (CA\$)	MSRP (CA\$)
A1	WHLASMB1844	WHEEL,ASSY,FLAT-FREE,SILVER RIM/BLACK TIRE,3 WHEEL,2 X 8",FRONT,COMPLETE,D-9982-012	1	N/A	N/A
B1	WHLASMB1703	WHEEL,ASSY,FLAT FREE,BLACK RIM/GRAY TIRE,3 WHEEL,2 X 8",FRONT,COMPLETE,D-9982-012	1	N/A	N/A
C1	WHLASMB1872	WHEEL,ASSY,PU FOAM,SILVER RIM/BLACK TIRE,TRI-SPOKE,3 WHEEL,2 X 8",FRONT,COMPLETE,D-1203-050	1	\$21.6	\$36

# VI. Wheel Assembly — Front, 4-Wheel

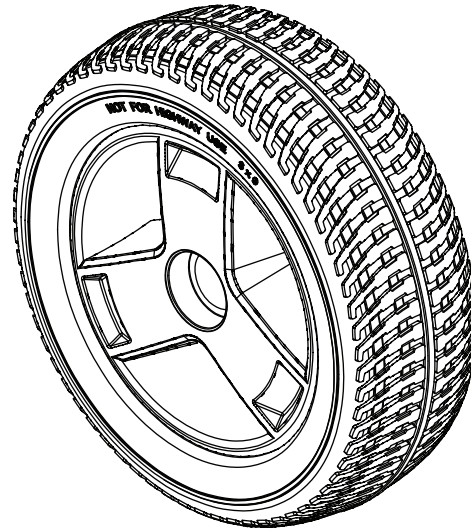


REF #	PART #	DESCRIPTION	QTY	Dealer (CA\$)	MSRP (CA\$)
A1	WHLASMB1832	WHEEL, ASSY, FLAT-FREE, SILVER RIM/BLACK TIRE, 4 WHEEL, FRONT, COMPLETE, SC54, D-9984-009	2	N/A	N/A
B1	WHLASMB1721	WHEEL, ASSY, FLAT FREE, BLACK RIM/GRAY TIRE, 4 WHEEL, FRONT, COMPLETE, SC54, D-9984-009	2	N/A	N/A
C1	WHLASMB1880	WHEEL, ASSY, PU FOAM, SILVER RIM/BLACK TIRE, TRI-SPOKE, 4 WHEEL, FRONT, COMPLETE, SC54, D-1203-049	2	\$24	\$40

A1	Complete Wheel Assembly Black Tire/Silver Rim
B1	Complete Wheel Assembly Gray Tire/Silver Rim



C1	Complete Wheel Assembly Black Tire/Silver Rim, Tri-Spoke
----	---



REF #	PART #	DESCRIPTION	QTY	Dealer (CA\$)	MSRP (CA\$)
A1	WHLASMB1835	WHEEL,ASSY,FLAT-FREE,SILVER RIM/BLACK TIRE,4 WHEEL,REAR,COMPLETE,SC53/SC54,D-9984-006	2	\$51.6	\$86
B1	WHLASMB1722	WHEEL,ASSY,FLAT FREE,BLACK RIM/GRAY TIRE,4 WHEEL,REAR,COMPLETE,SC54,D-9984-006	2	\$44.4	\$74
C1	WHLASMB1876	WHEEL,ASSY,PU FOAM,SILVER RIM/BLACK TIRE,TRI-SPOKE,4 WHEEL,REAR,COMPLETE,SC53/SC54,D-1203-052	2	\$49.8	\$83



## VII. Owner's Package

REF #	PART #	DESCRIPTION	QTY	Dealer (CA\$)	MSRP (CA\$)
*N/A	INDASMB2072	MANUAL,ASSY,OWNER'S PACKAGE,ELITE TRAVELLER PLUS,SC53/SC54,CANADA	1	N/A	N/A
*N/A	PROZBAG1003	BAG,10"L X 12"W X 2MIL,ZIPLOCK	2	\$ .06	\$ .1
*N/A	PINCOTD1006	PIN,COTTERLESS DETENT W/RING,.375" DIA X 2.00" GRIP LENGTH,B-1005-169	1	\$1.89	\$3.15
*N/A	KEYSCO1007	KEY,COATED, A126	1	\$4.2	\$7
*N/A	INFINFB1137	MANUAL,WARRANTY CARD,ENGLISH	1	\$ .32	\$ .53
*N/A	INFINFB1150	MANUAL,WARRANTY CARD,FRENCH CANADIAN	1	\$1.26	\$2.1
*N/A	DWR1020C034	KEY,DELUXE,W/MOLDED PLASTIC KNOB,EASY PULL,C-1020-034	1	\$2.52	\$4.2
*N/A	INFMANU3989	MANUAL,CONSUMER SAFETY GUIDE,SCOOTER	1	\$1.26	\$2.1
*N/A	INFMANU4119	MANUAL,CONSUMER SAFETY GUIDE,SCOOTER,FRENCH	1	\$1.26	\$2.1
*N/A	INFINFB3058	MANUAL,PRODUCT INSERT SHEET,TRAVEL SCOOTER PRODUCT WARRANTY,CANADA,ENGLISH & FRENCH CANADIAN	1	N/A	N/A
*N/A	INFMANU4392	MANUAL,OWNER'S,TRAVEL SCOOTER SERIES,UNIVERSAL	1	N/A	N/A
*N/A	INFINFB3082	PRODUCT INSERT SHEET,INTRODUCTION SHEET,PRIDE,US,UK,AU,FC	1	\$1.26	\$2.1
*N/A	INFINFB3101	MANUAL,QUICK START GUIDE,TRAVEL SCOOTER SERIES,UNIVERSAL	1	N/A	N/A
*N/A	LAB131655	HANG TAG,SCOOTER CONSOLIDATED HANG TAG	1	N/A	N/A
*N/A	INFINFB3265	PRODUCT INSERT SHEET,SPECIFICATIONS,ELITE TRAVELLER PLUS,53/54,ENGLISH/FRENCH/DUTCH/GERMAN/ITALIAN/SPANISH	1	N/A	N/A

**Notes :**

\*N/A Not applicable.

# VIII. Decal Package — 3-Wheel, Elite Traveller Plus

REF #	PART #	DESCRIPTION	QTY	Dealer \$	MSRP	11i
*N/A	DECASMB1961	DECAL,ASSY,ELITE TRAVELLER PLUS,SC53,17 AMP,UNITED STATES	1	N/A	N/A	
*N/A	DECINDV1211	DECAL,+/-,BATTERY HARNESS,L-1234-733	1	\$1.1	\$2.81	
*N/A	DECSERN1035	DECAL,SERIAL NUMBER,2" X 1.25",BARCODE,MADE IN CHINA,W/PRIDE LOGO	1	N/A	N/A	
*N/A	DWR1234L108	DECAL,ICON,CHARGE BATTERY BEFORE START,L-1234-108	1	\$1.16	\$2.96	
*N/A	DWR1234L336	DECAL,ICON,SCOOTER SEAT POST SETUP INSTRUCTIONS,L-1234-336	1	N/A	N/A	
*N/A	DWR1234L658	DECAL,SHOCK PREVENTION,BLACK VINYL,UV COATED,L-1234-658	1	\$1.1	\$2.81	
*N/A	DWR1234L811	DECAL,ICON,DO NOT ADJUST ANTI-TIP,1.25" X 0.75",JAZZYSELECT,L-1234-811	2	\$1.1	\$2.81	
*N/A	DWR1234L810	DECAL,ICON,ELECTRONIC COMPONENTS DISPOSAL,L-1234-810	1	\$1.1	\$2.81	
*N/A	DWR1234L915	DECAL,LOGO,SIDE,ELITE TRAVELLER PLUS,SC54,L-1234-915	2	N/A	N/A	
*N/A	DWR1234L923	DECAL,PINCH POINT,READ OWNERS MANUAL,L-1234-923	1	\$1.1	\$2.81	
*N/A	DWR1235L053	DECAL,ICON,BATTERY CONNECTION DIAGRAM,17 AMP,SC53/SC54,L-1235-053	1	N/A	N/A	
*N/A	DWR1235L511	DECAL,PATENT PENDING,L-1235-511	1	\$1.1	\$2.81	
*N/A	DWR1235L515	DECAL,WARNING,BATTERY WARNINGS,L-1235-515	2	\$1.38	\$3.51	
*N/A	DWR1235L520	DECAL,CAUTION,EXTENSION CORD/GROUNDING PRONG,L-1235-520	1	\$1.38	\$3.51	
*N/A	DWR1235L551	DECAL,ISO,"AGM/GEL CELL/DOT CERTIFIED",L-1235-551	1	\$1.53	\$3.91	
*N/A	DWR1235L798	DECAL,ICON,FREEWHEEL OPERATION,L-1235-798	1	\$1.16	\$2.96	
*N/A	LAB120015	DECAL,NOT RATED FOR OCCUPIED TRANSPORT,SCOOTER	1	\$1.16	\$2.96	
*N/A	LAB120033	DECAL,DATA PLATE,GOGO ELITE TRAVELLER PLUS (S53)	1	N/A	N/A	
*N/A	LAB120049	DECAL,READ OWNER'S MANUAL,300 LB WEIGHT CAPACITY,LOOSE GARMENTS DECAL,GOGO	1	\$1.05	\$2.68	
*N/A	LAB146020	DECAL,GO-GO PHONE NUMBER AND WEBSITE REAR SHROUD	1	\$1.16	\$2.96	
*N/A	DGN145457	PRIDE BADGE,SMALL	1	N/A	N/A	

**Notes :**

\*N/A Not applicable.

## VIII. Decal Package — 3-Wheel Elite, Traveller Plus HD

REF #	PART #	DESCRIPTION	QTY	Dealer \$	MSRP	11i
*N/A	DECASMB1996	DECAL,ASSY,SC53HD,GO-GO ELITE TRAVELLER PLUS HD,17 AMP,UNITED STATES	1	N/A	N/A	
*N/A	DECINDV1211	DECAL,+/-,BATTERY HARNESS,L-1234-733	1	\$1.1	\$2.81	
*N/A	DECSERN1035	DECAL,SERIAL NUMBER,2" X 1.25",BARCODE,MADE IN CHINA,W/PRIDE LOGO	1	N/A	N/A	
*N/A	DWR1234L108	DECAL,ICON,CHARGE BATTERY BEFORE START,L-1234-108	1	\$1.16	\$2.96	
*N/A	DWR1234L336	DECAL,ICON,SCOOTER SEAT POST SETUP INSTRUCTIONS,L-1234-336	1	N/A	N/A	
*N/A	DWR1234L658	DECAL,SHOCK PREVENTION,BLACK VINYL,UV COATED,L-1234-658	1	\$1.1	\$2.81	
*N/A	DWR1234L811	DECAL,ICON,DO NOT ADJUST ANTI-TIP,1.25" X 0.75",JAZZYSELECT,L-1234-811	2	\$1.1	\$2.81	
*N/A	DWR1234L810	DECAL,ICON,ELECTRONIC COMPONENTS DISPOSAL,L-1234-810	1	\$1.1	\$2.81	
*N/A	DWR1234L923	DECAL,PINCH POINT,READ OWNERS MANUAL,L-1234-923	1	\$1.1	\$2.81	
*N/A	DWR1235L180	DECAL,LOGO,SIDE,LEFT/RIGHT,ELITE TRAVELLER PLUS HD,L-1235-180	2	N/A	N/A	
*N/A	DWR1235L181	DECAL,LOGO,REAR,ELITE TRAVELLER PLUS HD,L-1235-181	1	N/A	N/A	
*N/A	DWR1235L053	DECAL,ICON,BATTERY CONNECTION DIAGRAM,17 AMP,SC53/SC54,L-1235-053	1	N/A	N/A	
*N/A	DWR1235L511	DECAL,PATENT PENDING,L-1235-511	1	\$1.1	\$2.81	
*N/A	DWR1235L515	DECAL,WARNING,BATTERY WARNINGS,L-1235-515	2	\$1.38	\$3.51	
*N/A	DWR1235L520	DECAL,CAUTION,EXTENSION CORD/GROUNDING PRONG,L-1235-520	1	\$1.38	\$3.51	
*N/A	DWR1235L551	DECAL,ISO,"AGM/GEL CELL/DOT CERTIFIED",L-1235-551	1	\$1.53	\$3.91	
*N/A	DWR1235L798	DECAL,ICON,FREEWHEEL OPERATION,L-1235-798	1	\$1.16	\$2.96	
*N/A	LAB120015	DECAL,NOT RATED FOR OCCUPIED TRANSPORT,SCOOTER	1	\$1.16	\$2.96	
*N/A	LAB120036	DECAL,DATA PLATE,GOGO ELITE TRAVELLER PLUS HD (S53HD)	1	N/A	N/A	
*N/A	LAB120050	DECAL,READ OWNER'S MANUAL,325 LB WEIGHT CAPACITY,LOOSE GARMENTS DECAL,GOGO	1	\$1.12	\$2.86	

**Notes :**

\*N/A Not applicable.

# VIII. Decal Package — 4-Wheel, Elite Traveller Plus

REF #	PART #	DESCRIPTION	QTY	Dealer \$	MSRP	11i
*N/A	DECASMB1962	DECAL,ASSY,GO-GO ELITE TRAVELLER PLUS,SC54,17 AMP,UNITED STATES	1	N/A	N/A	
*N/A	DECINDV1211	DECAL,+/-,BATTERY HARNESS,L-1234-733	1	\$1.1	\$2.81	
*N/A	DECSERN1035	DECAL,SERIAL NUMBER,2" X 1.25",BARCODE,MADE IN CHINA,W/PRIDE LOGO	1	N/A	N/A	
*N/A	DWR1234L108	DECAL,ICON,CHARGE BATTERY BEFORE START,L-1234-108	1	\$1.16	\$2.96	
*N/A	DWR1234L336	DECAL,ICON,SCOOTER SEAT POST SETUP INSTRUCTIONS,L-1234-336	1	N/A	N/A	
*N/A	DWR1234L658	DECAL,SHOCK PREVENTION,BLACK VINYL,UV COATED,L-1234-658	1	\$1.1	\$2.81	
*N/A	DWR1234L811	DECAL,ICON,DO NOT ADJUST ANTI-TIP,1.25" X 0.75",JAZZYSELECT,L-1234-811	2	\$1.1	\$2.81	
*N/A	DWR1234L810	DECAL,ICON,ELECTRONIC COMPONENTS DISPOSAL,L-1234-810	1	\$1.1	\$2.81	
*N/A	DWR1234L915	DECAL,LOGO,SIDE,ELITE TRAVELLER PLUS,SC54,L-1234-915	2	N/A	N/A	
*N/A	DWR1234L923	DECAL,PINCH POINT,READ OWNERS MANUAL,L-1234-923	1	\$1.1	\$2.81	
*N/A	DWR1235L053	DECAL,ICON,BATTERY CONNECTION DIAGRAM,17 AMP,SC53/SC54,L-1235-053	1	N/A	N/A	
*N/A	DWR1235L511	DECAL,PATENT PENDING,L-1235-511	1	\$1.1	\$2.81	
*N/A	DWR1235L515	DECAL,WARNING,BATTERY WARNINGS,L-1235-515	2	\$1.38	\$3.51	
*N/A	DWR1235L520	DECAL,CAUTION,EXTENSION CORD/GROUNDING PRONG,L-1235-520	1	\$1.38	\$3.51	
*N/A	DWR1235L551	DECAL,ISO,"AGM/GEL CELL/DOT CERTIFIED",L-1235-551	1	\$1.53	\$3.91	
*N/A	DWR1235L798	DECAL,ICON,FREEWHEEL OPERATION,L-1235-798	1	\$1.16	\$2.96	
*N/A	LAB120015	DECAL,NOT RATED FOR OCCUPIED TRANSPORT,SCOOTER	1	\$1.16	\$2.96	
*N/A	LAB120034	DECAL,DATA PLATE,GOGO ELITE TRAVELLER PLUS (S54)	1	N/A	N/A	
*N/A	LAB120049	DECAL,READ OWNER'S MANUAL,300 LB WEIGHT CAPACITY,LOOSE GARMENTS DECAL,GOGO	1	\$1.05	\$2.68	
*N/A	LAB146020	DECAL,GO-GO PHONE NUMBER AND WEBSITE REAR SHROUD	1	\$1.16	\$2.96	
*N/A	DGN145457	PRIDE BADGE,SMALL	1	N/A	N/A	

**Notes :**

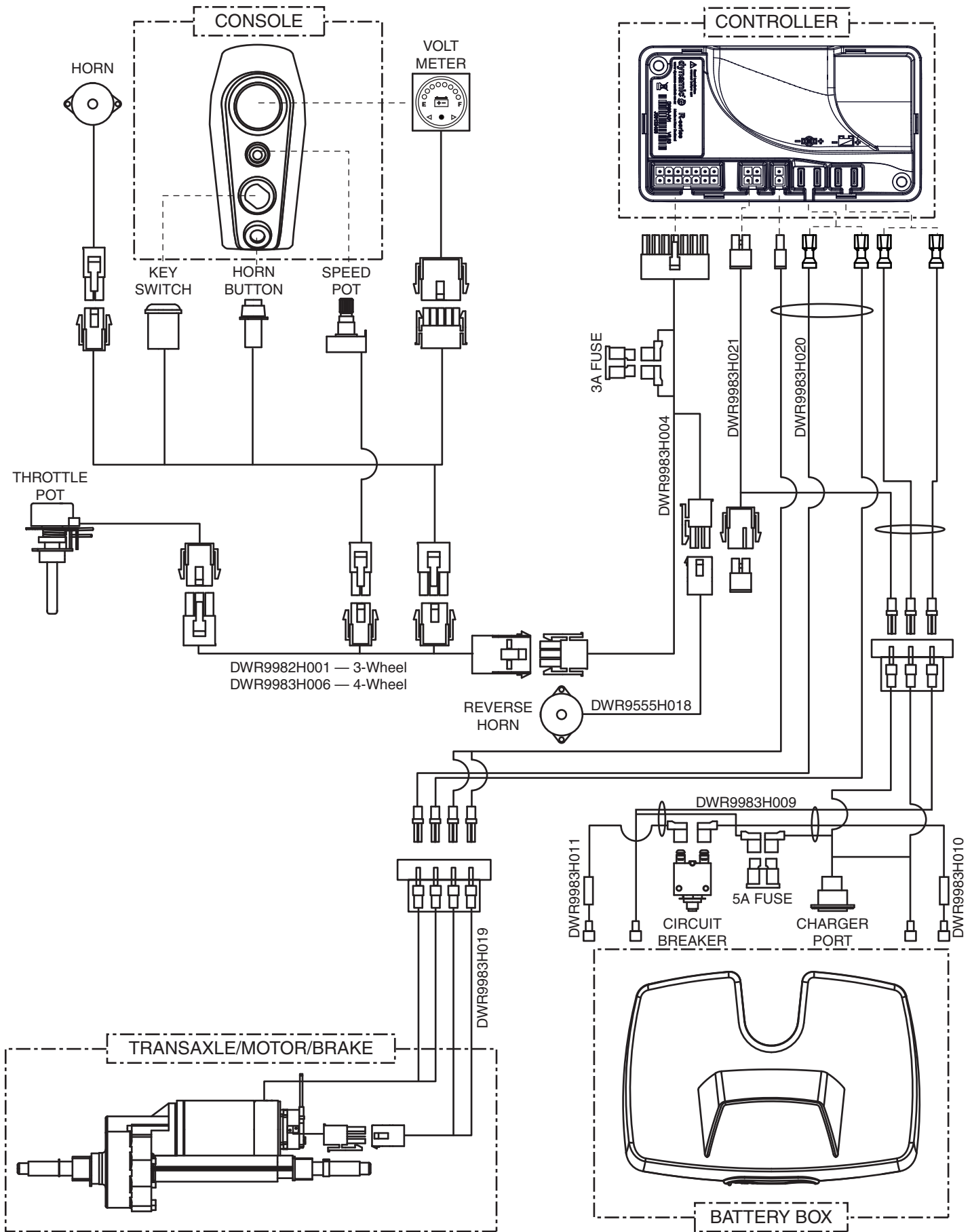
\*N/A Not applicable.

# VIII. Decal Package — 4-Wheel, Elite Traveller Plus HD

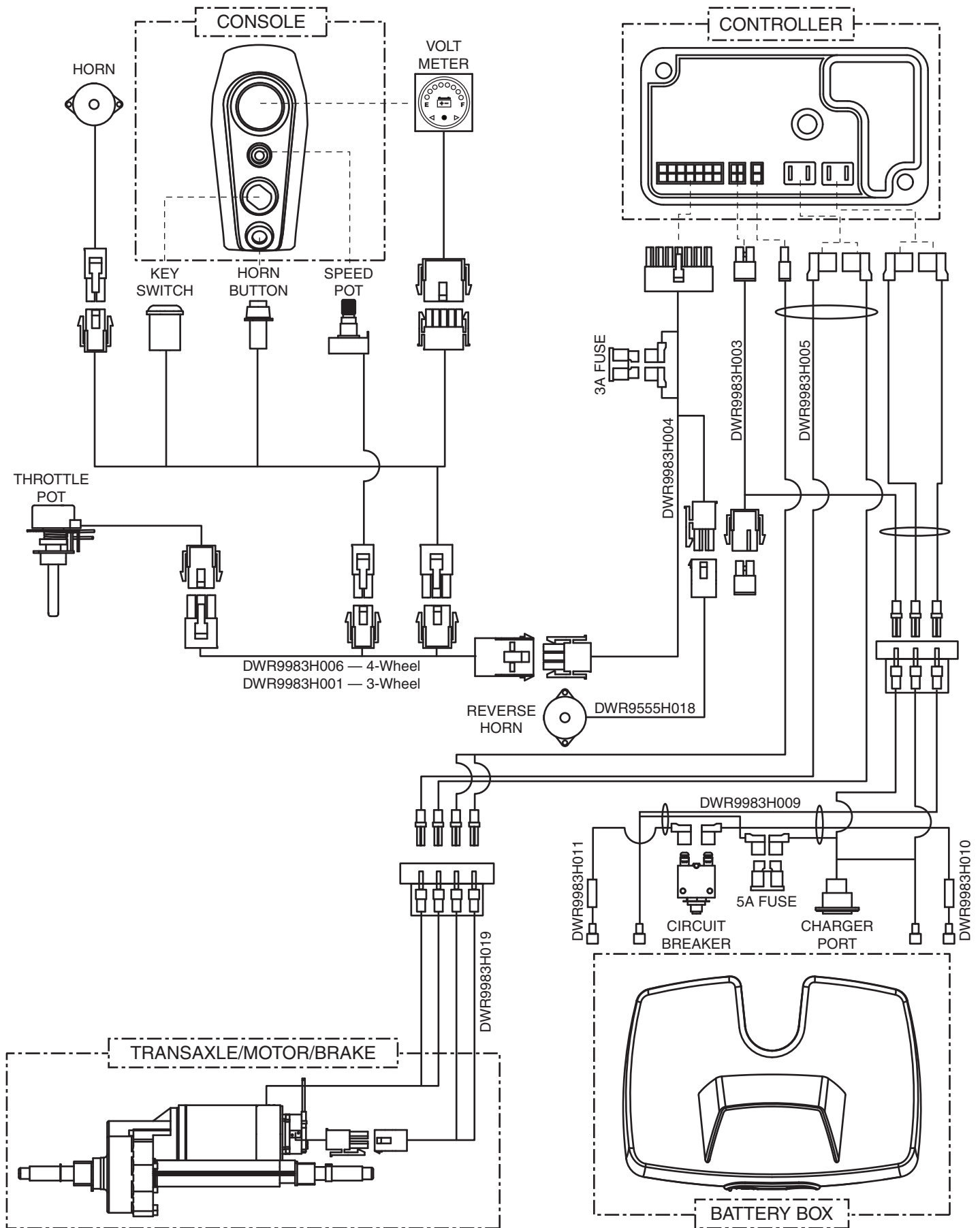
REF #	PART #	DESCRIPTION	QTY	Dealer \$	MSRP	11i
*N/A	DECASMB1995	DECAL,ASSY,SC54HD,GO-GO ELITE TRAVELLER PLUS HD,17 AMP,UNITED STATES	1	N/A	N/A	
*N/A	DECINDV1211	DECAL,+/-,BATTERY HARNESS,L-1234-733	1	\$1.1	\$2.81	
*N/A	DECSERN1035	DECAL,SERIAL NUMBER,2" X 1.25",BARCODE,MADE IN CHINA,W/PRIDE LOGO	1	N/A	N/A	
*N/A	DWR1234L108	DECAL,ICON,CHARGE BATTERY BEFORE START,L-1234-108	1	\$1.16	\$2.96	
*N/A	DWR1234L336	DECAL,ICON,SCOOTER SEAT POST SETUP INSTRUCTIONS,L-1234-336	1	N/A	N/A	
*N/A	DWR1234L658	DECAL,SHOCK PREVENTION,BLACK VINYL,UV COATED,L-1234-658	1	\$1.1	\$2.81	
*N/A	DWR1234L811	DECAL,ICON,DO NOT ADJUST ANTI-TIP,1.25" X 0.75",JAZZYSELECT,L-1234-811	2	\$1.1	\$2.81	
*N/A	DWR1234L810	DECAL,ICON,ELECTRONIC COMPONENTS DISPOSAL,L-1234-810	1	\$1.1	\$2.81	
*N/A	DWR1234L923	DECAL,PINCH POINT,READ OWNERS MANUAL,L-1234-923	1	\$1.1	\$2.81	
*N/A	DWR1235L180	DECAL,LOGO,SIDE,LEFT/RIGHT,ELITE TRAVELLER PLUS HD,L-1235-180	2	N/A	N/A	
*N/A	DWR1235L181	DECAL,LOGO,REAR,ELITE TRAVELLER PLUS HD,L-1235-181	1	N/A	N/A	
*N/A	DWR1235L053	DECAL,ICON,BATTERY CONNECTION DIAGRAM,17 AMP,SC53/SC54,L-1235-053	1	N/A	N/A	
*N/A	DWR1235L511	DECAL,PATENT PENDING,L-1235-511	1	\$1.1	\$2.81	
*N/A	DWR1235L515	DECAL,WARNING,BATTERY WARNINGS,L-1235-515	2	\$1.38	\$3.51	
*N/A	DWR1235L520	DECAL,CAUTION,EXTENSION CORD/GROUNDING PRONG,L-1235-520	1	\$1.38	\$3.51	
*N/A	DWR1235L551	DECAL,ISO,"AGM/GEL CELL/DOT CERTIFIED",L-1235-551	1	\$1.53	\$3.91	
*N/A	DWR1235L798	DECAL,ICON,FREEWHEEL OPERATION,L-1235-798	1	\$1.16	\$2.96	
*N/A	LAB120015	DECAL,NOT RATED FOR OCCUPIED TRANSPORT,SCOOTER	1	\$1.16	\$2.96	
*N/A	LAB120035	DECAL,DATA PLATE,GOGO ELITE TRAVELLER PLUS HD (S54HD)	1	N/A	N/A	
*N/A	LAB120050	DECAL,READ OWNER'S MANUAL,325 LB WEIGHT CAPACITY,LOOSE GARMENTS DECAL,GOGO	1	\$1.12	\$2.86	

**Notes :**

\*N/A Not applicable.



# A. Electrical System Diagram — S-Drive Electronics





# Pride<sup>®</sup>

*Mobility Products Corp.*

*www.pridemobility.com*

**Pride<sup>®</sup> Mobility Products Corporation**

182 Susquehanna Avenue  
Exeter, PA 18643  
USA

**Pride<sup>®</sup> Mobility Products Company**

5095 South Service Road  
Beamsville, ON L0R 1B3  
Canada

**Pride<sup>®</sup> Mobility Products Ltd.**

32 Wedgwood Road  
Bicester, Oxon OX26 4UL  
UK

**Pride<sup>®</sup> Mobility Products Australia Pty. Ltd.**

20-24 Apollo Drive  
Hallam, Victoria 3803  
Australia

**Pride<sup>®</sup> Mobility Products Italia S.r.l.**

Via del Porgresso - ang. Via del Lavoro  
Loc. Prato della Corte  
00065 - Fiano Romano (RM)

**Pride<sup>®</sup> Mobility Products Europe B.V.**

Castricummer Werf 26  
1901 RW Castricum  
The Netherlands